

JEKY 11

1:10 SCALE 2WD ELECTRIC BUGGY
TR02EVO CHASSIS



Team

Notice

Thank you for purchasing this Jekyll Offroad Buggy by Team C. This manual shows instructions and tips to built and maintain your Jekyll. Please take some time to read through to get familiar with the shown steps.

We continually improve our products, due to that, actual parts may be different to the illustrations. Please check our website for the latest versions manuals and tips before you start to built this model.

This manual is written in english language only. If you need a manual in your language please visit our website or contact your distributor!

Diese Anleitung wurde in englischer Sprache verfasst. Sollten sie eine Anleitung in ihrer Sprache benötigen, besuchen sie unsere website oder kontaktieren sie ihren Vertriebsagenten.

Questo manuale è stato scritto in inglese. Se avete bisogno del manuale nella tua lingua, si prega di visitare il nostro sito web o contattate il proprio distributore.

Este manual está escrito en Inglés. Si necesita el manual en su idioma, por favor visite nuestro sitio web o contacte con su distribuidor.

Ce manuel est écrit en langue anglaise. Si vous avez besoin d'un manuel dans votre langue s'il vous plaît visitez notre site web ou contactez votre distributeur!

Deze handleiding is geschreven in het Engels taal beschikbaar. Als u een handleiding in uw eigen taal kunt u terecht op onze website of neem contact op met uw distributeur!

General Information

THIS IS NOT A TOY!

Not suitable for children under 14 years of age without adult supervision.

This is a high performance vehicle, for safety reason don't run on public streets, in crowded areas, environmentally areas or near children or animals.

This model contains rotating parts and parts which become hot during operation. Care must be taken to avoid damage or injuries.

This product may require some assembly and routine maintenance.

This product is covered by warranty based on material defectives. Crash damage or maintenance failures are not covered under warranty.

Batteries should be used in good condition only, and need to be fully charged.

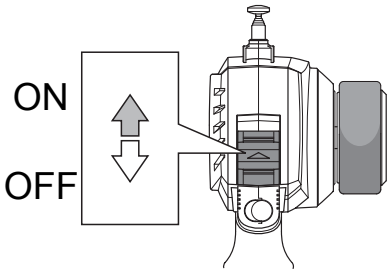
Nitro models should be driven outside of buildings only. Inhaling exhaust gases could cause health damage.

Keep chemicals stored out of the range of small children.

Make sure your model and equipment is in perfect condition before you use it, to ensure safety and fun while driving.

Transmitter Preparation

Power Switch



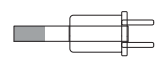
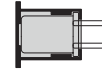
Antenna

Extend the antenna to the maximum Length for best performance

27MHz Transmitter Crystal (TX)

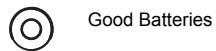
Transmitter crystal(TX)

Receiver crystal(RX)



The crystal can be replaced to change frequencies.
Note : You must also change receiver crystals!
Do not use AM crystals

Battery Level Indicator



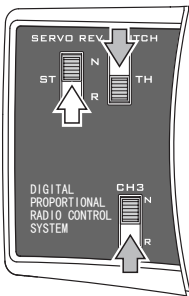
Good Batteries



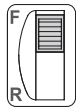
Low Batteries(Light Blinks)

Reverse Switch 反向开关

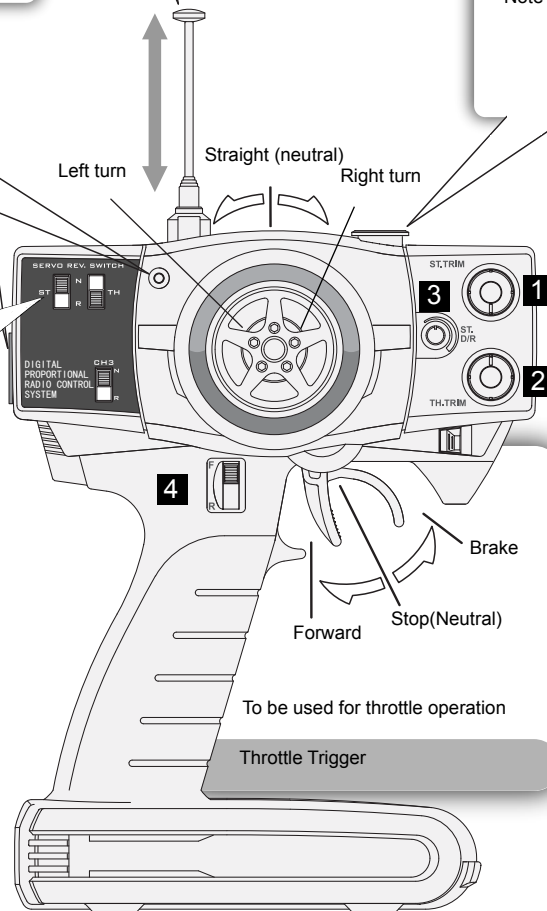
! Servo Factory Settings



4 3ch Switch



This switch is used for optional parts.



1 Steering Trim



To be used for trimming the steering operation

2 Throttle Trim



To be used for trimming the throttle operation

3 Steering Dual Rate

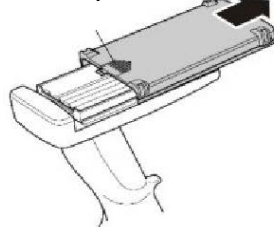


To be used to adjust steering servo throw

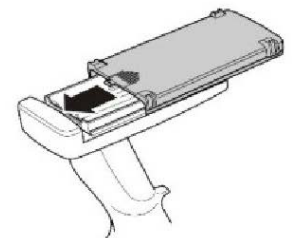
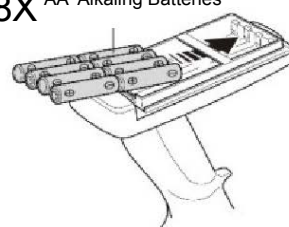
Transmitter Battery Installation

Open battery cover at the bottom of transmitter. Install batteries. Follow the direction of batteries designated in the inside of battery box.

Battery Cover



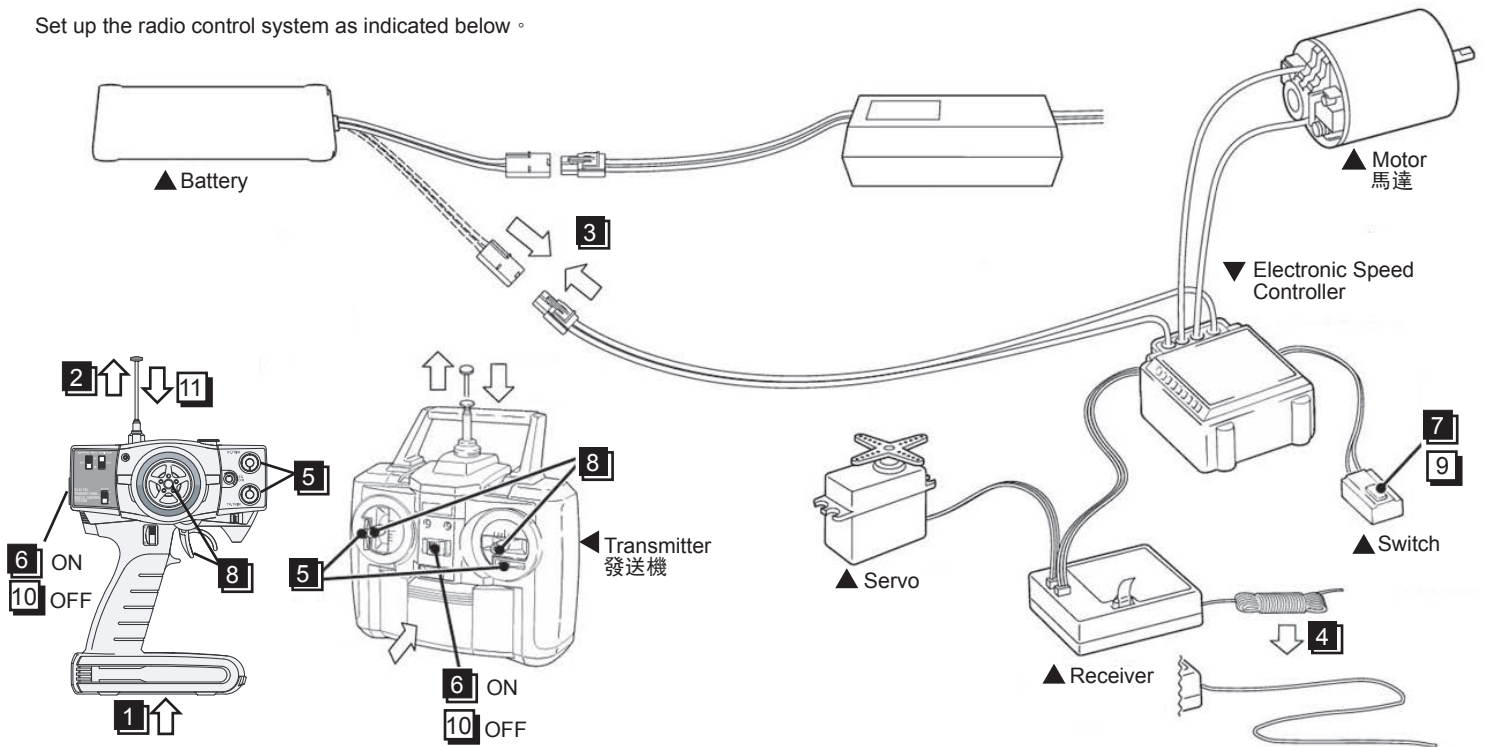
8X AA Alkaling Batteries



Transmitter Preparation

A new Ni-MH battery must be charged before it is used. Refer to the charger instruction manual for charging.

Set up the radio control system as indicated below.



● Start

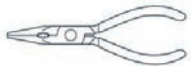
- 1 Install batteries.(Transmitter)
- 2 Extend the antenna.(Transmitter)
- 3 Connect the battery
- 4 Extend the antenna.(Receiver)
- 5 Center the trims.
- 6 Switch on.(Transmitter)
- 7 Switch on.(Receiver)
- 8 Make sure the servos are in command.

● Finish

- 9 Switch off.(Receiver)
- 10 Switch off.(Transmitter)
- 11 Retract the antenna(Transmitter)

Tools required

● Needle Nose Pliers



● Awl



● Grease



● Screw Cement



● Instant Glue



● Ball differential Grease(Clear)



● SP KINFE EDGE REAMER



● Wire Cutters



● ROUND CUTTER&SANDER

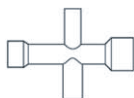


● Molybdenum Grease(Black)



● Hex Wrench

● Hex Wrench



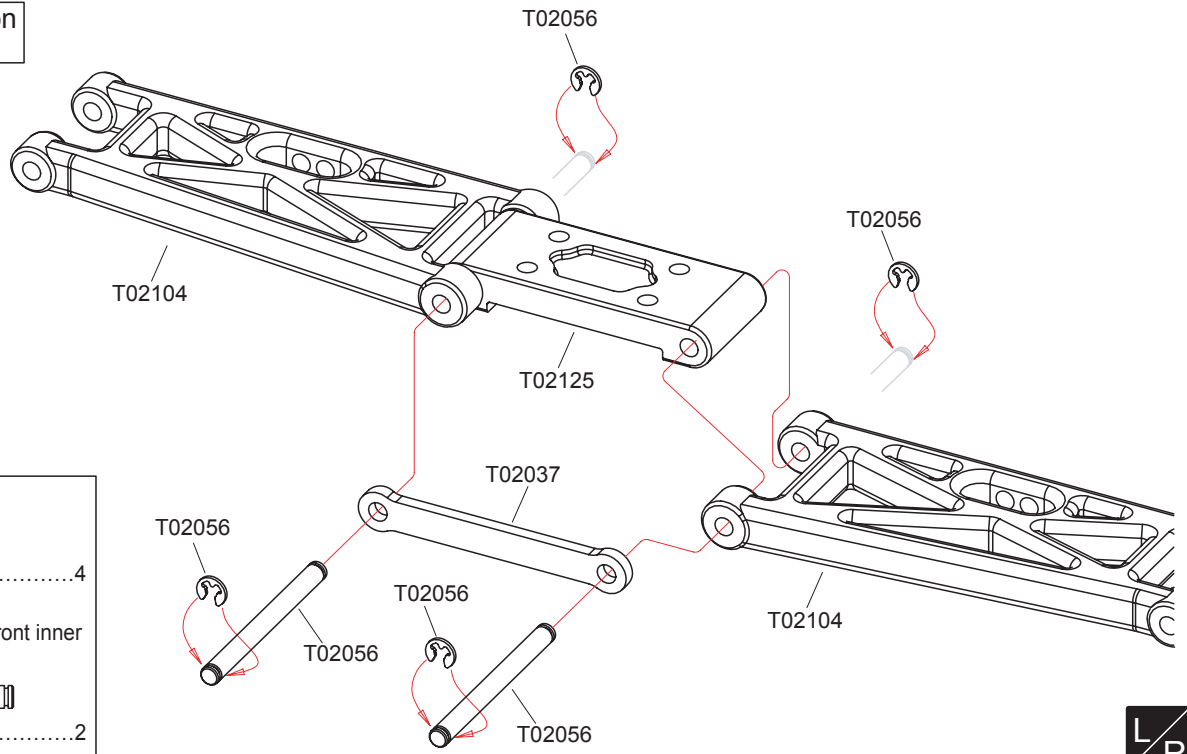
No need to pre-drill precise holes
(1mm to 15mm) can be drilled

● Sharp Hobby knife

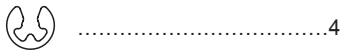


For trimming bodies!

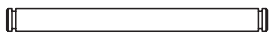
1 Front Suspension



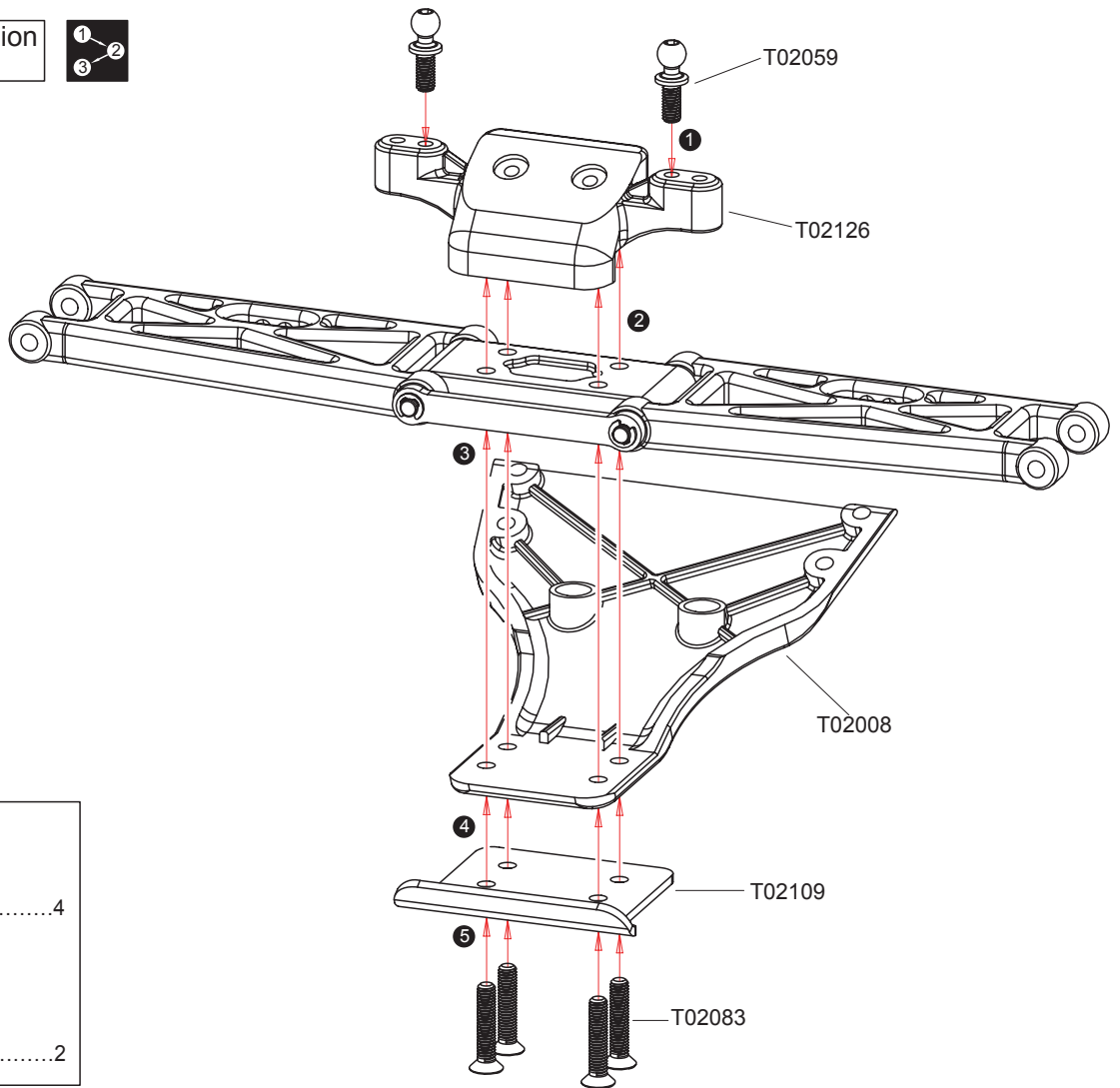
T02056 2.3 E-ring



T02056 3x34.5 Hinge pin front inner



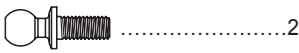
2 Front Suspension





T02083 M3x15 Screw



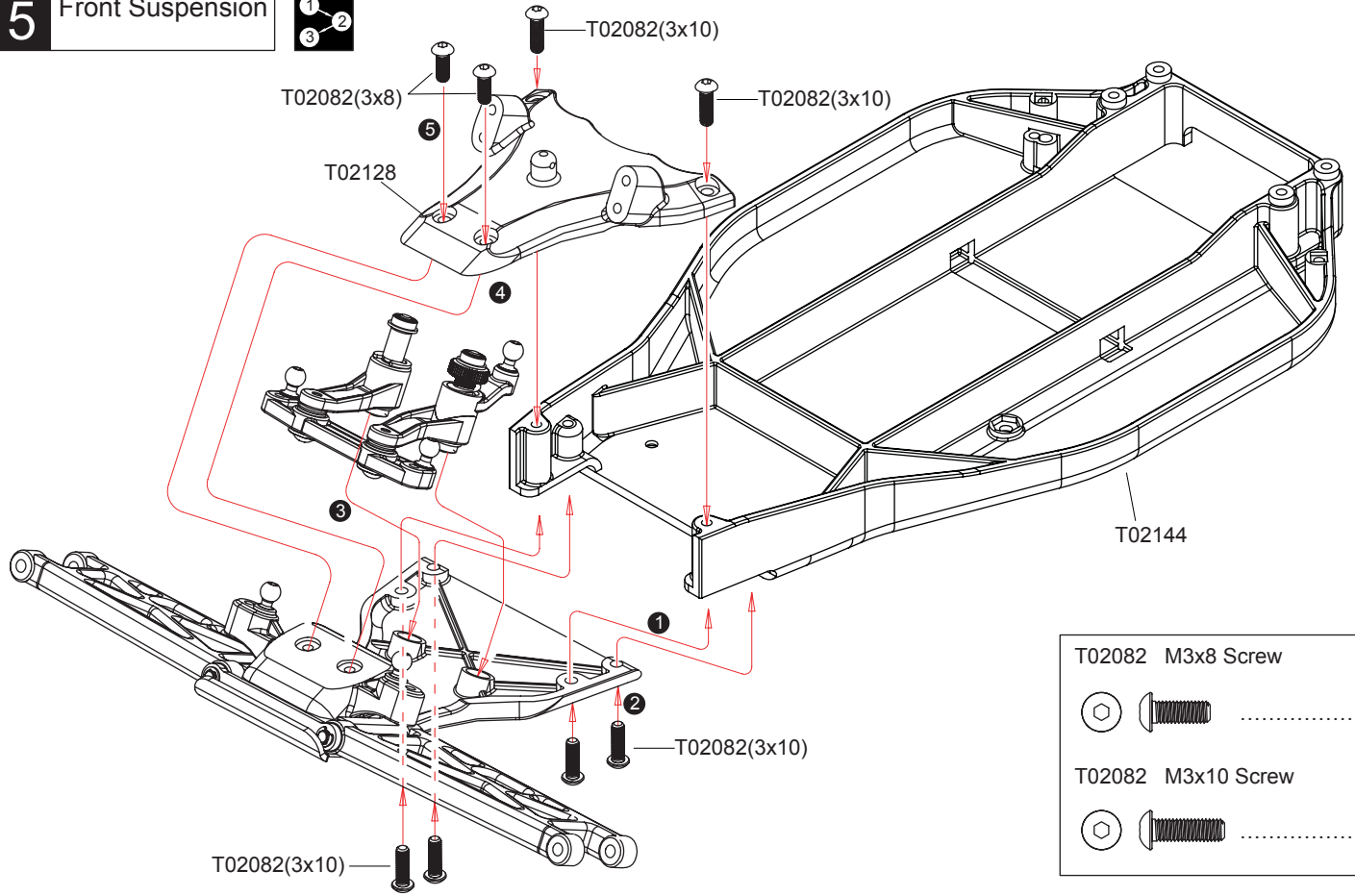
T02059 Ball stud - long



 Assemble in the specified order

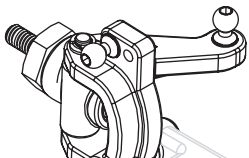
 Assemble left and right sides the same way

5 Front Suspension

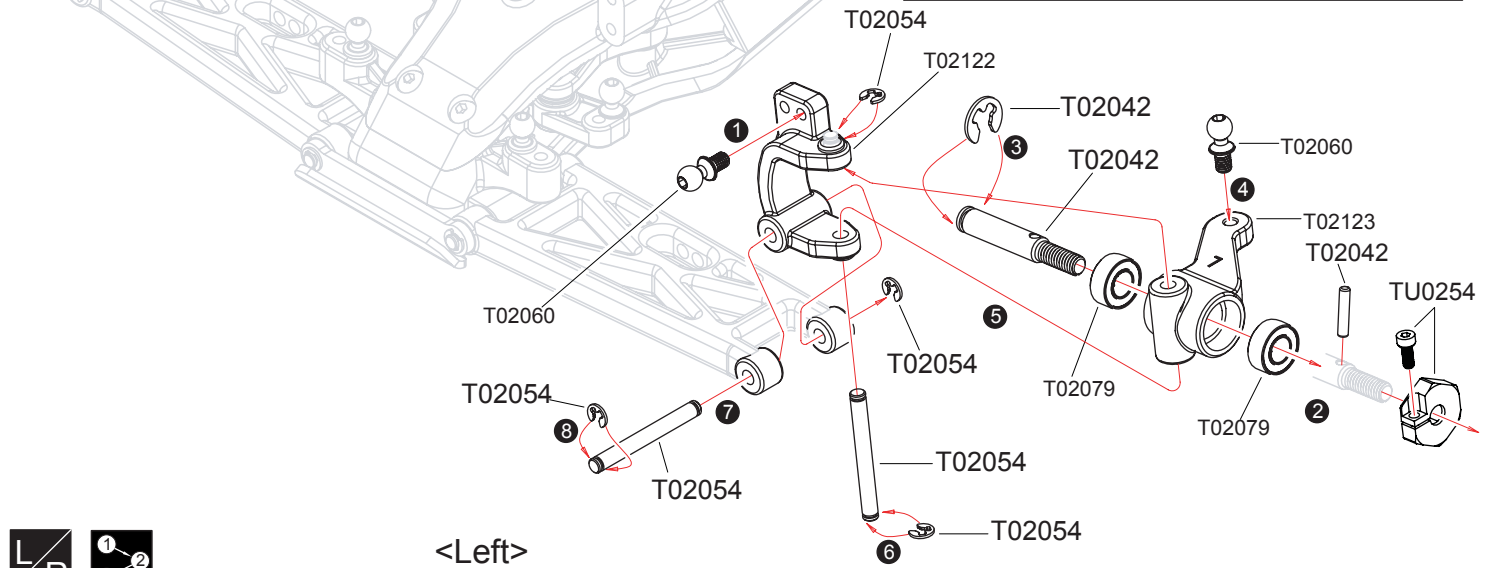


6 Front Suspension

<Right>



T02054 2.3 E-ring	T02054 3x27.5 Hinge pin front outer
.....84
T02042 4.0 E-ring	T02060 Ball stud - short
.....24
T02042 2x9.8 Shaft	T02079 5x10x4 Contain oil ball bearing
.....24

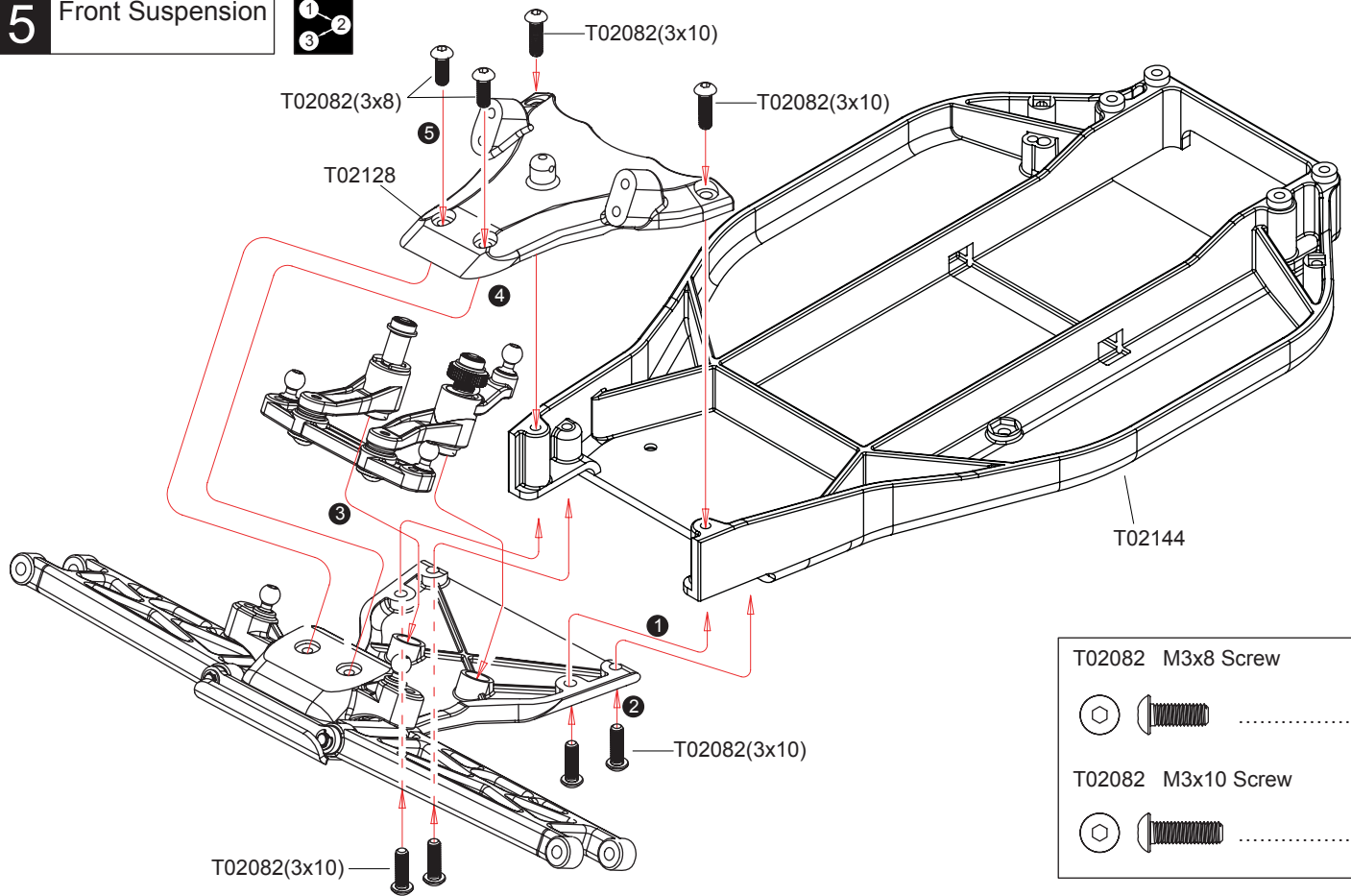


<Left>

Assemble in the specified order

Assemble left and right sides the same way

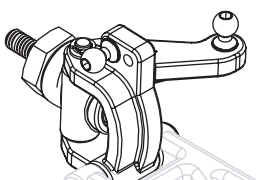
5 Front Suspension



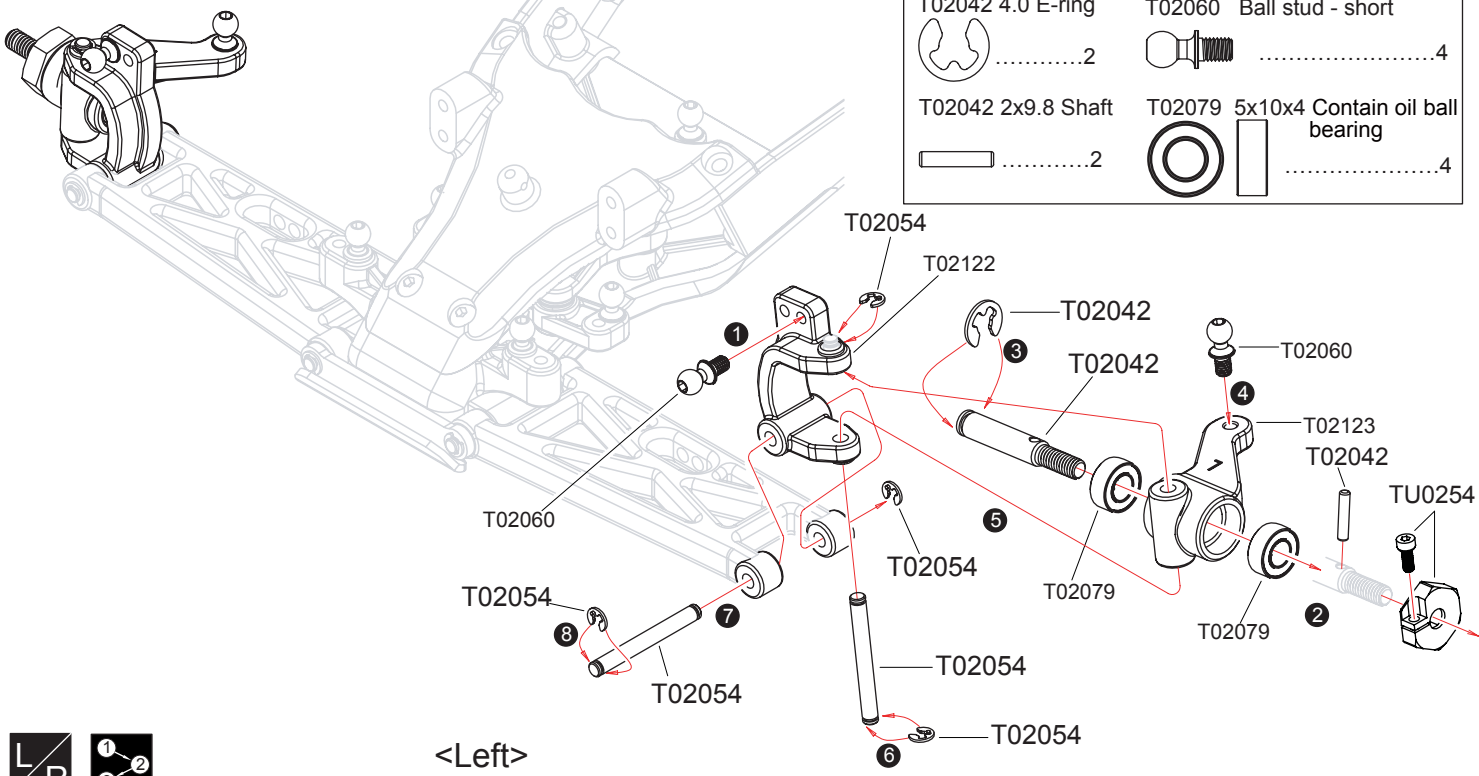
T02082	M3x8 Screw	2
T02082	M3x10 Screw	6

6 Front Suspension

<Right>



T02054	2.3 E-ring	8	T02054	3x27.5 Hinge pin front outer	4
T02042	4.0 E-ring	2	T02060	Ball stud - short	4
T02042	2x9.8 Shaft	2	T02079	5x10x4 Contain oil ball bearing	4

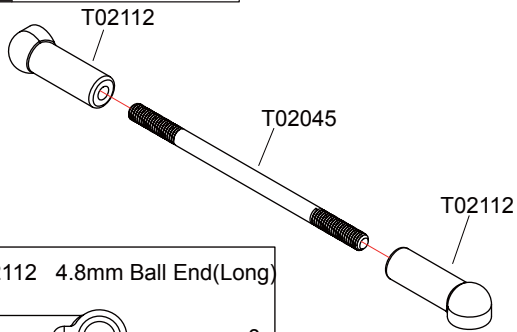


<Left>



Assemble in the specified order Assemble left and right sides the same way

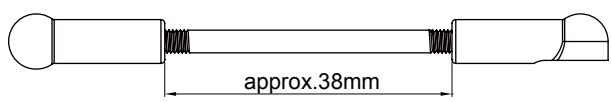
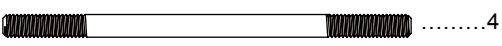
7 Front Suspension



T02112 4.8mm Ball End(Long)

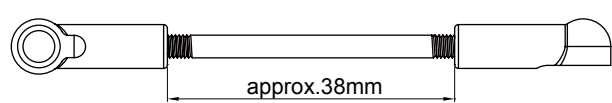


T02045 3x54 Turnbuckle



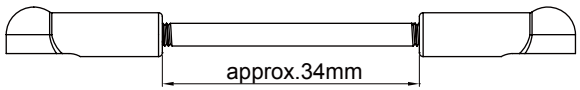
Front Upper(Right)

x1 1:1



Front Upper (Left)
前上拉桿(左)

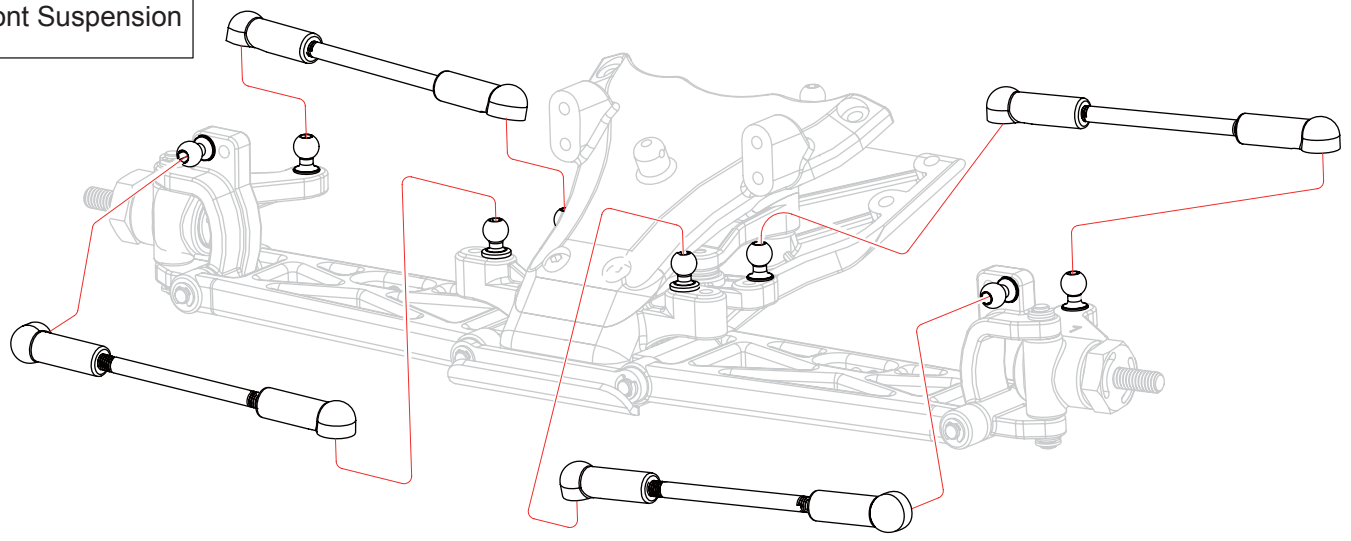
x1 1:1



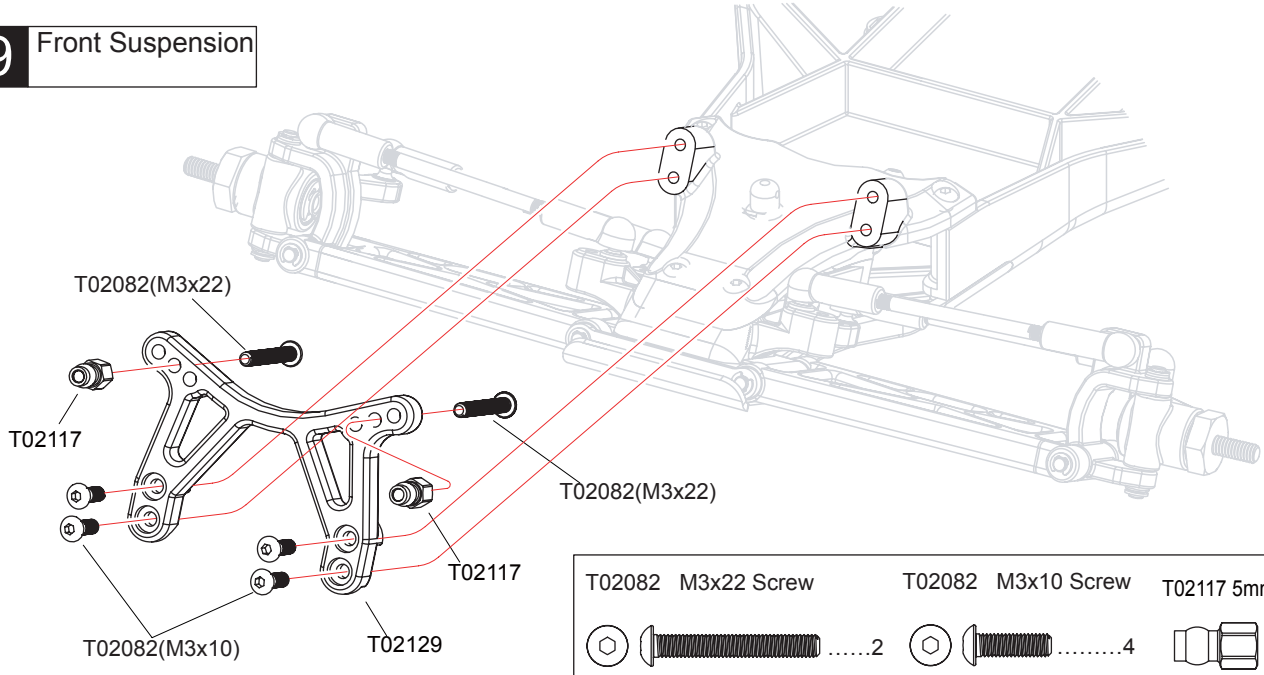
Steering Tip
轉向拉桿

x2 1:1

8 Front Suspension



9 Front Suspension



T02082 M3x22 Screw

T02082 M3x10 Screw

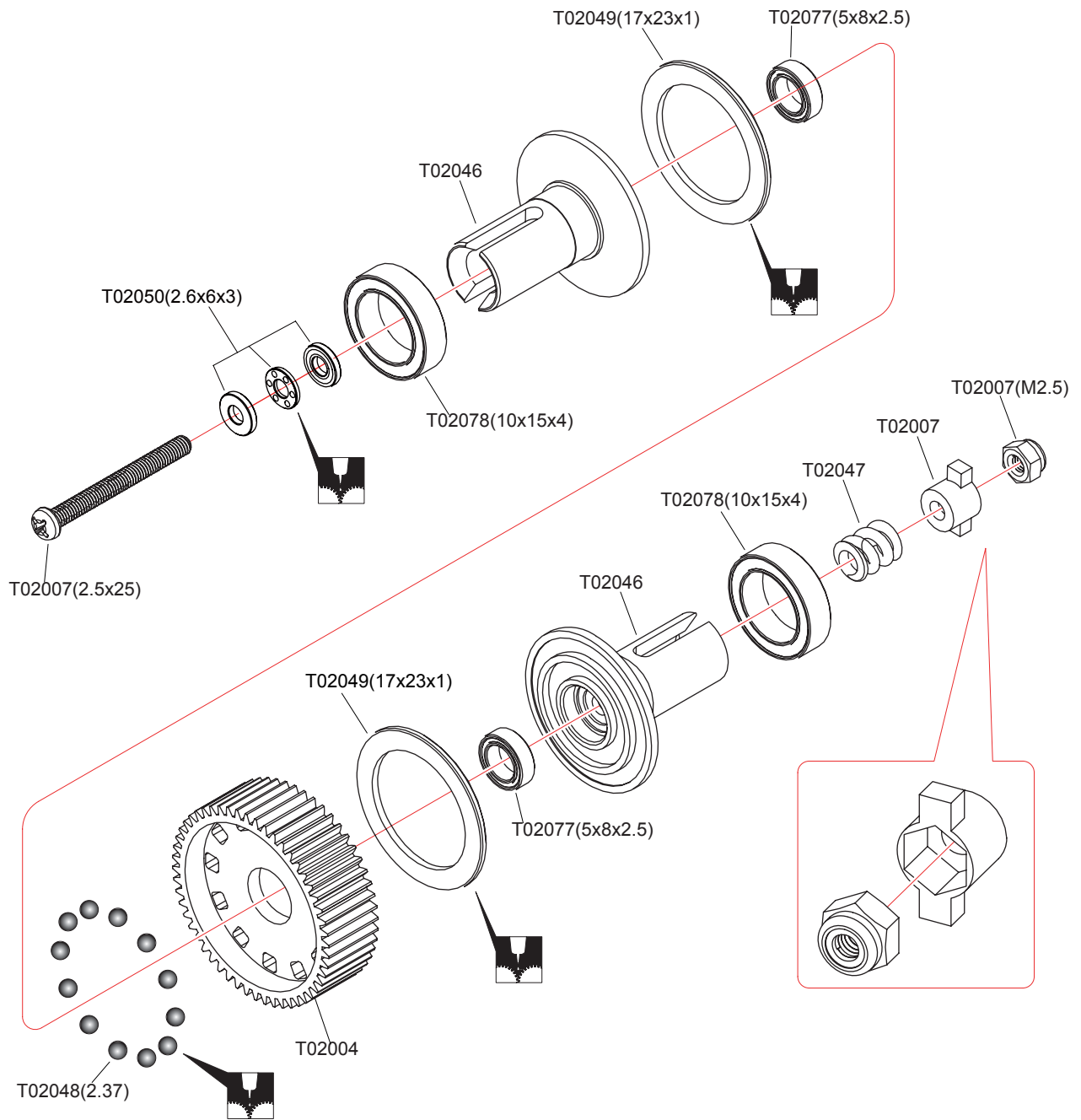
T02117 5mm Plastic Ball stud



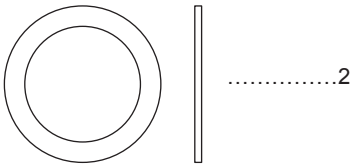
x1 Assemble as many times as specified

1:1 True-to-scale diagram

10 Differential Gear



T02049 17x23x1 Washer



T02007 M2.5x25 Screw



T02077 5x8x2.5 Contain oil ball bearing



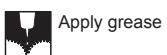
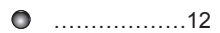
T02078 10x15x4 Contain oil ball bearing



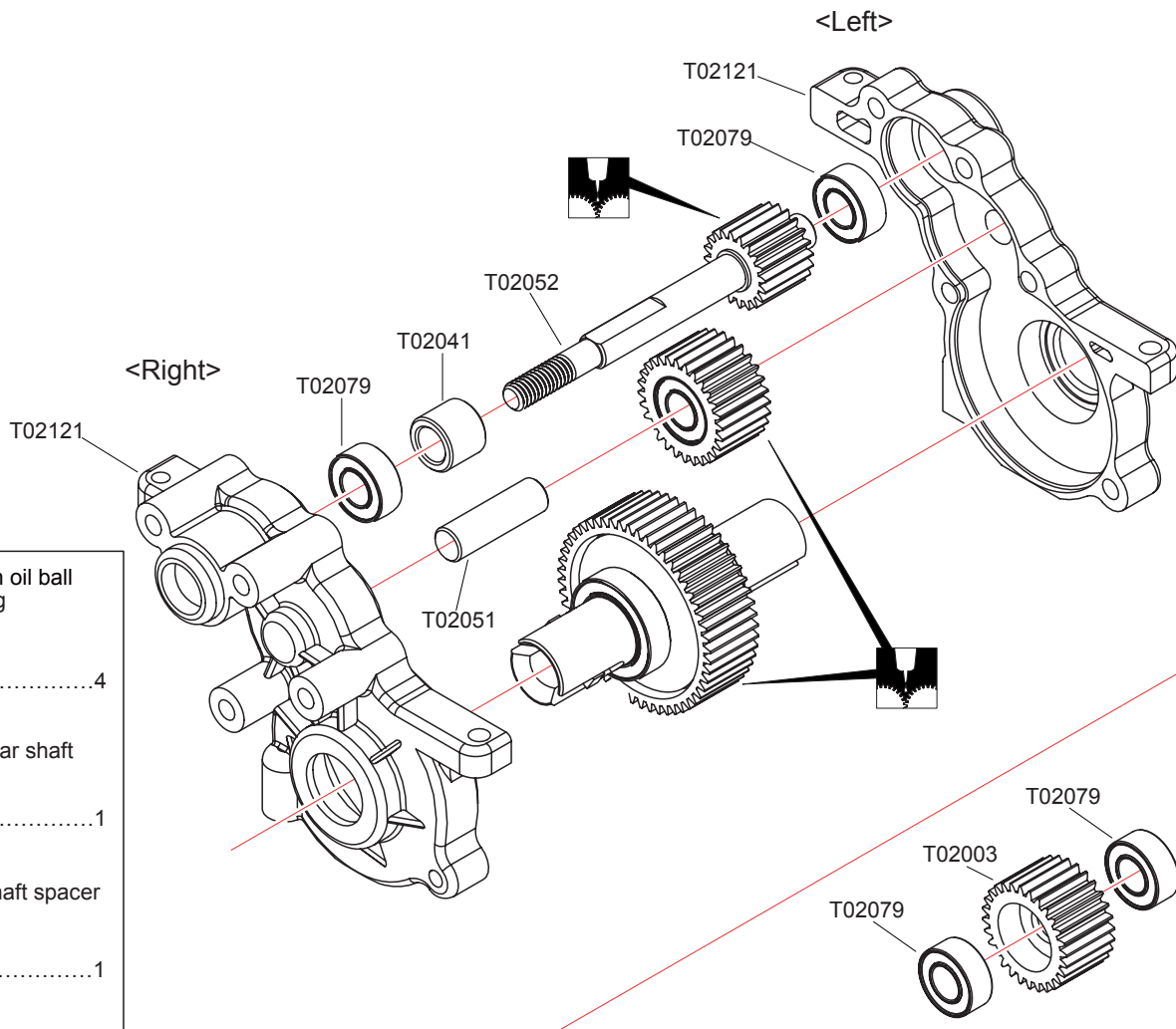
T02007 M2.5 Nylon Nut





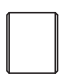


T02048 2.37mm Ball

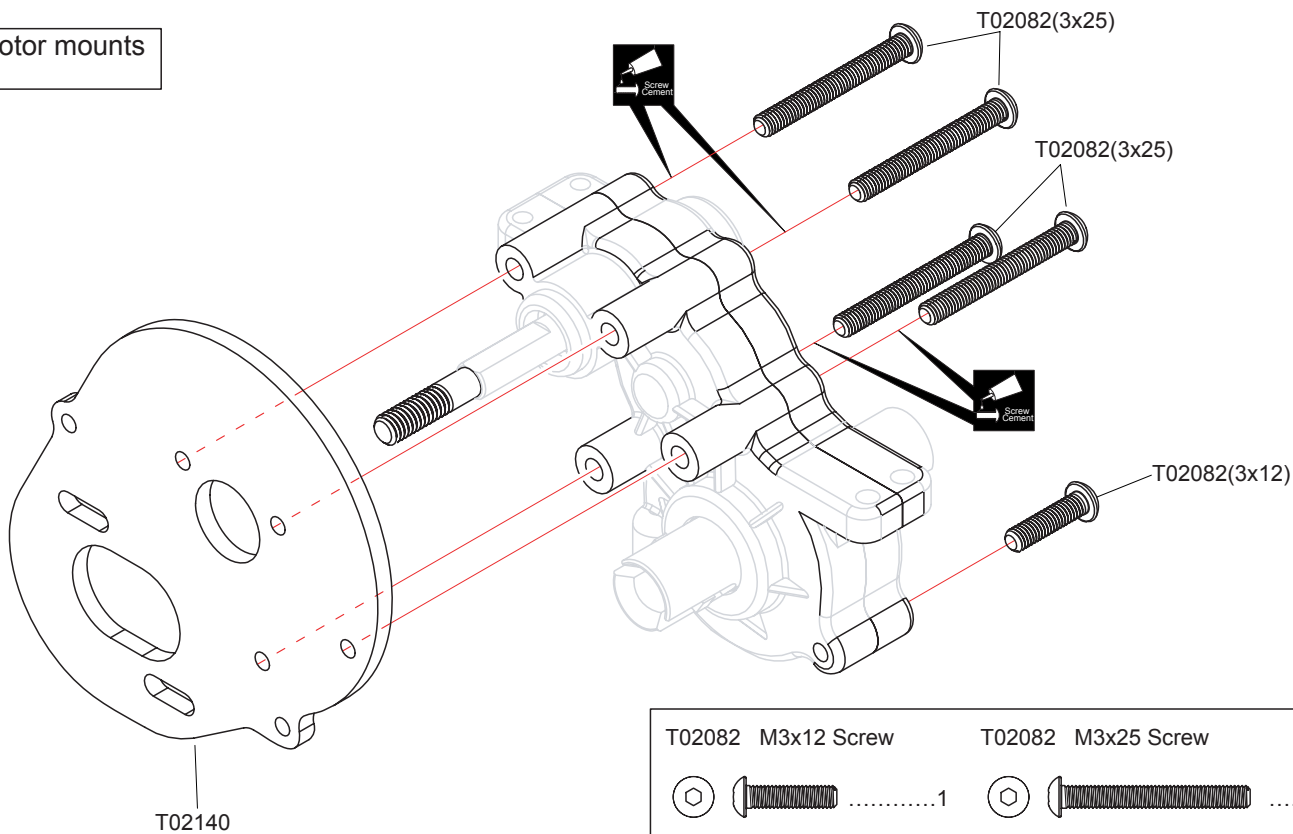




11 Transmission



- T02079 5x10x4 Contain oil ball Bearing
 4
- T02051 5x16.8 idler gear shaft
1
- T02041 5x8x6.7 Top shaft spacer
 1

12 Motor mounts



- T02082 M3x12 Screw
1
- T02082 M3x25 Screw
4

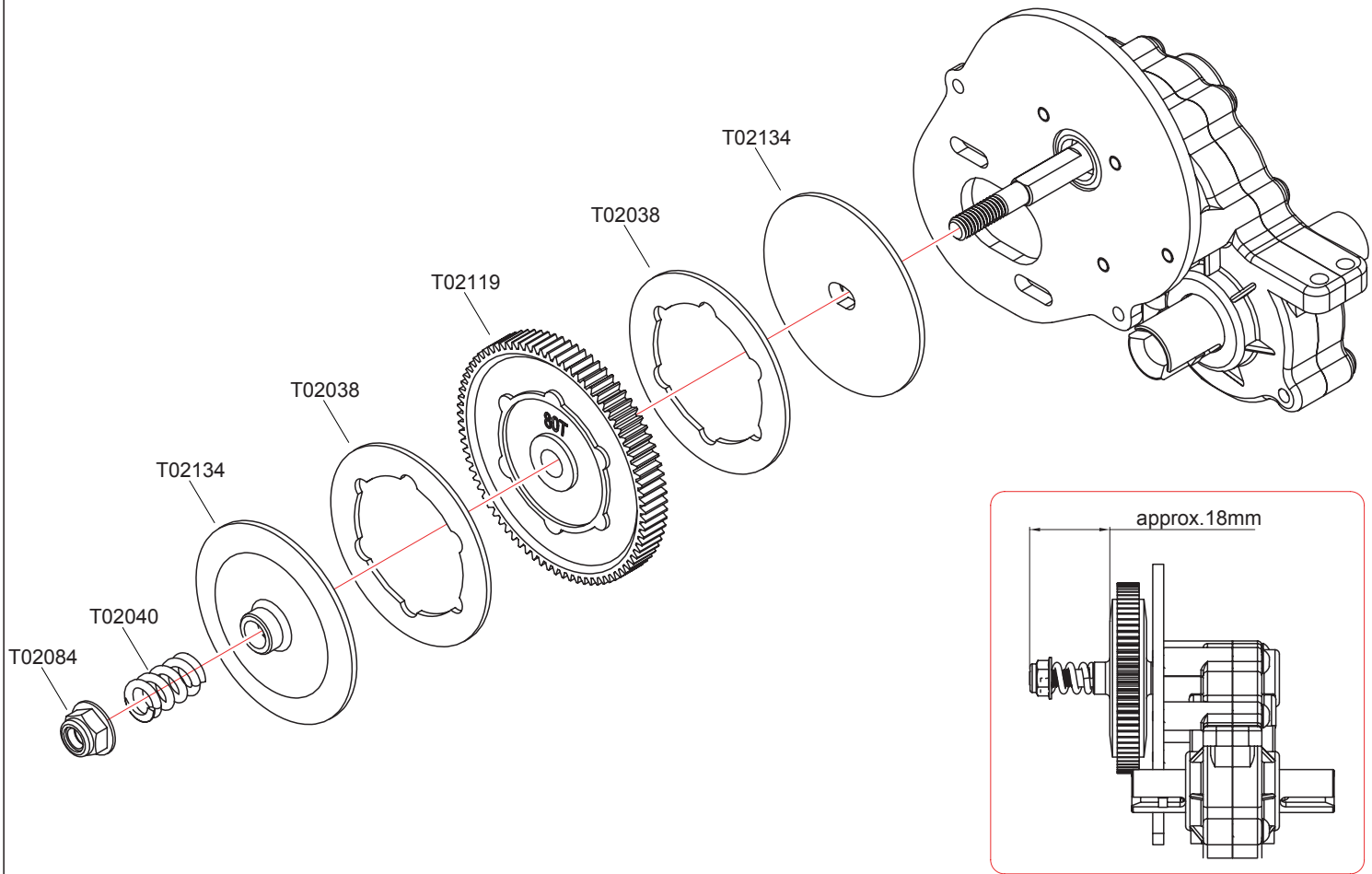


Apply grease

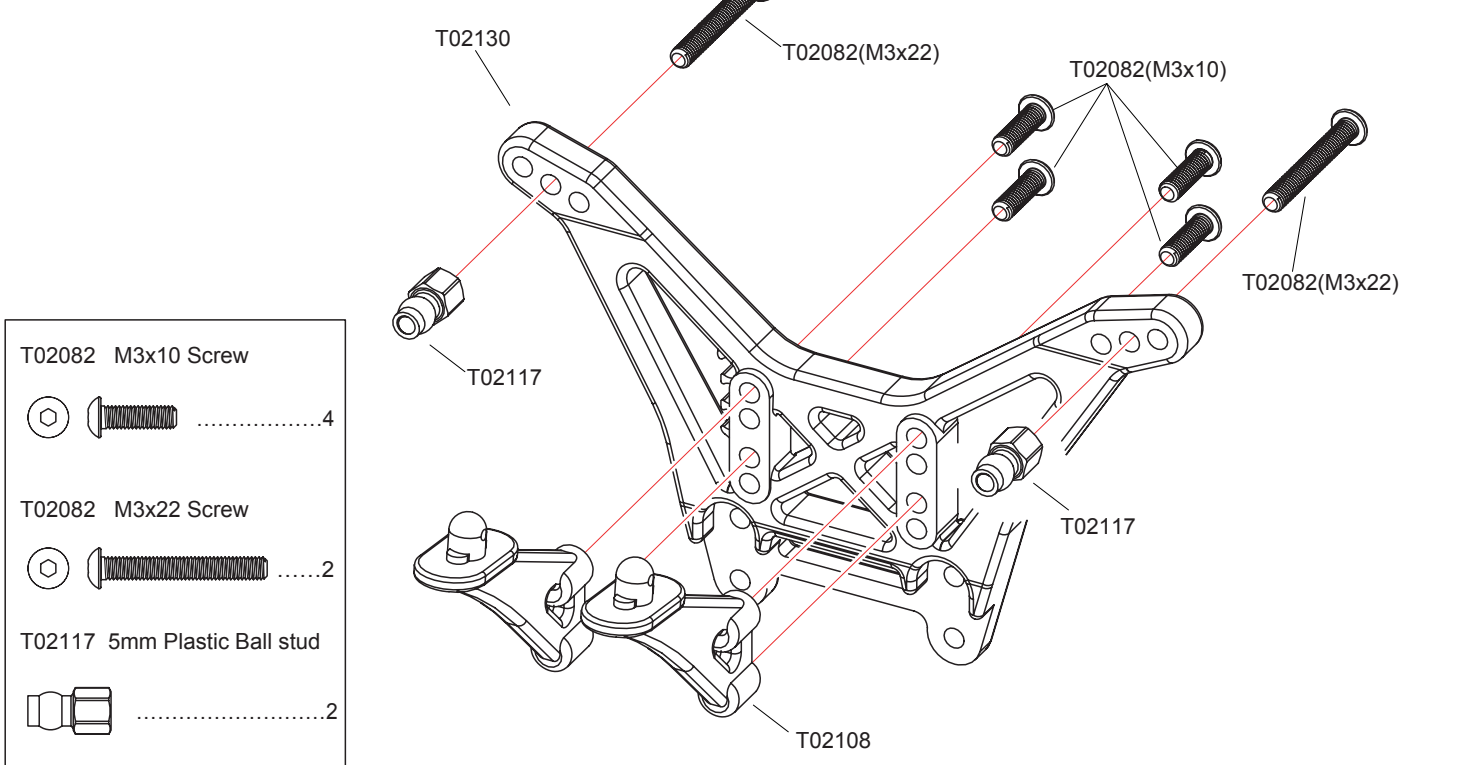


Apply threadlocker(screw cement)

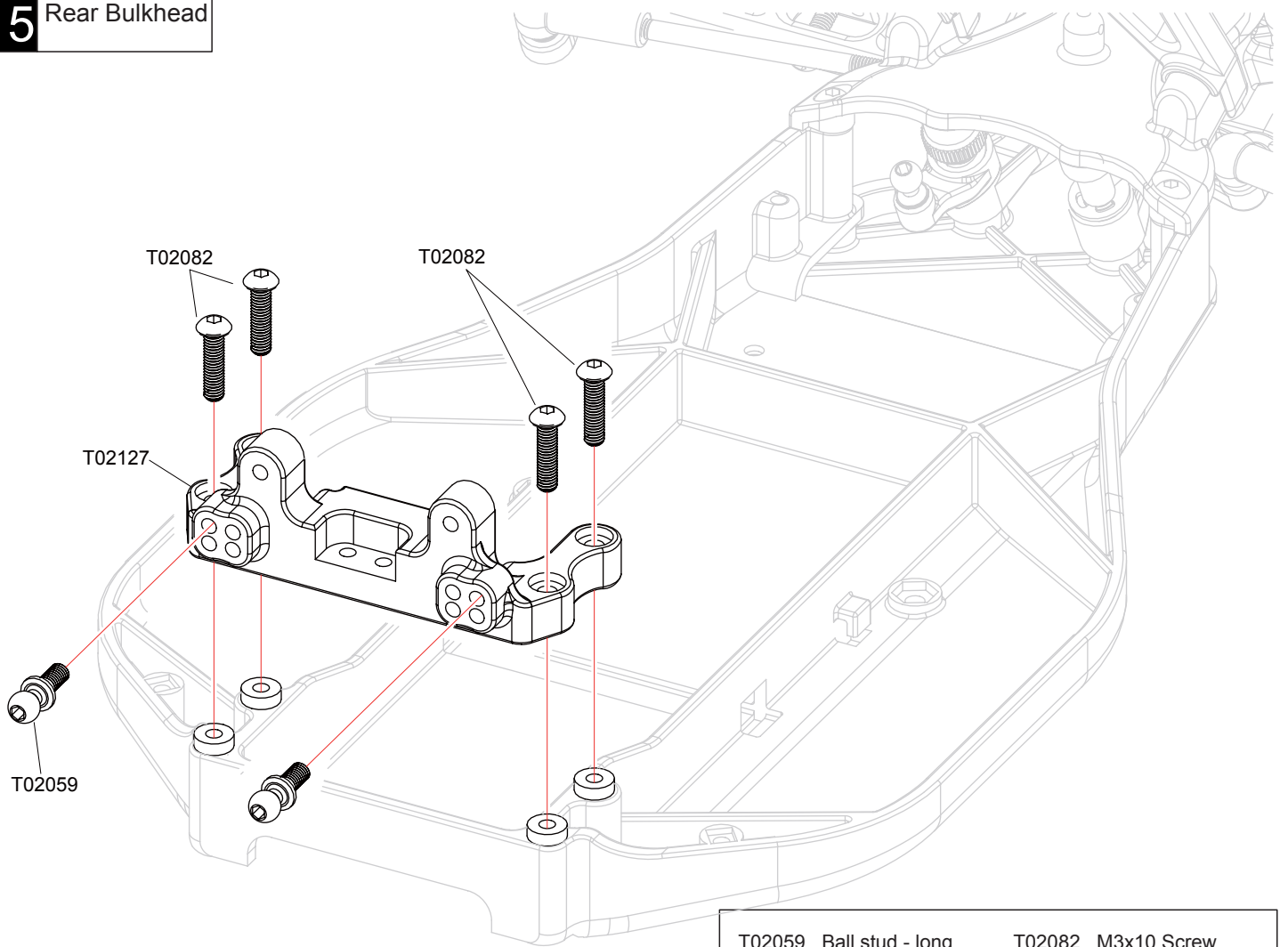
13 Main Gear

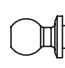



14 Rear Damper Tower

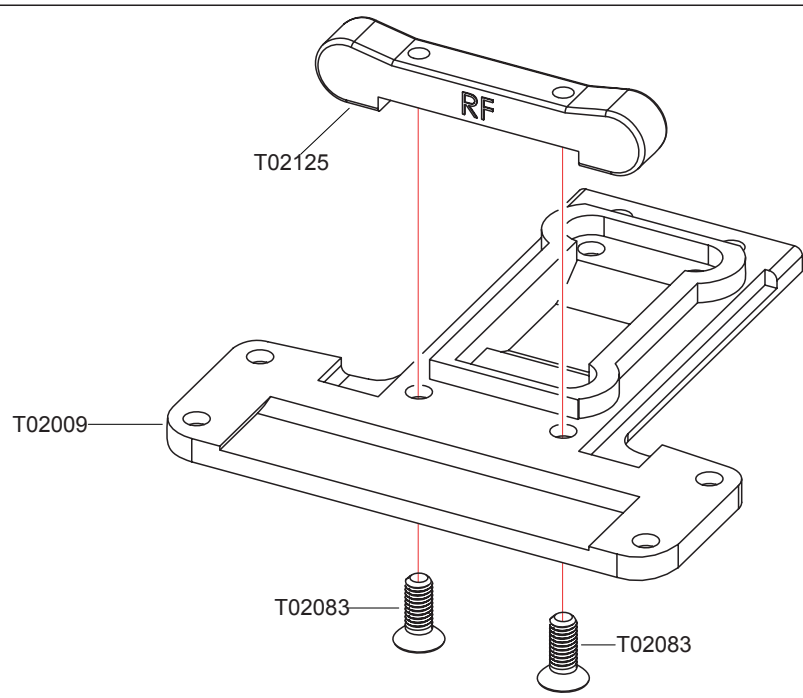



15 Rear Bulkhead



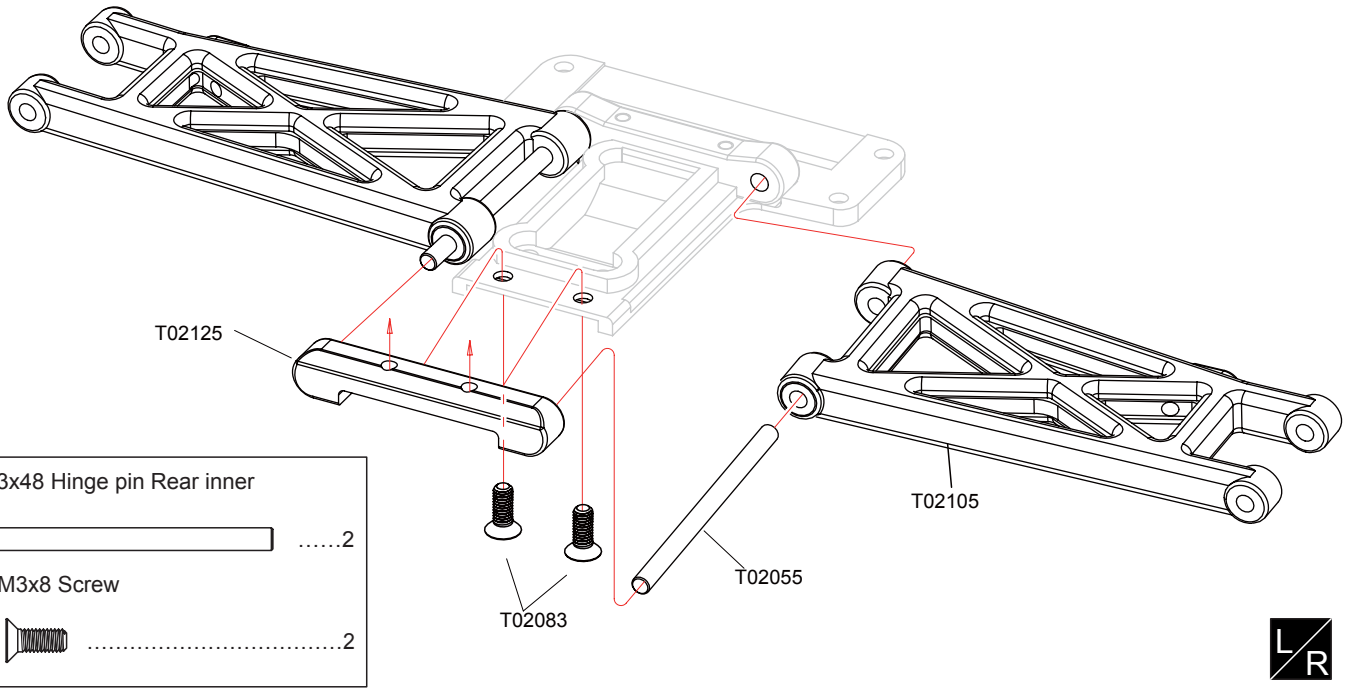
T02059	Ball stud - long	T02082	M3x10 Screw
2	4

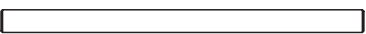

16 Rear Chassis



T02083	M3x8 Screw
2

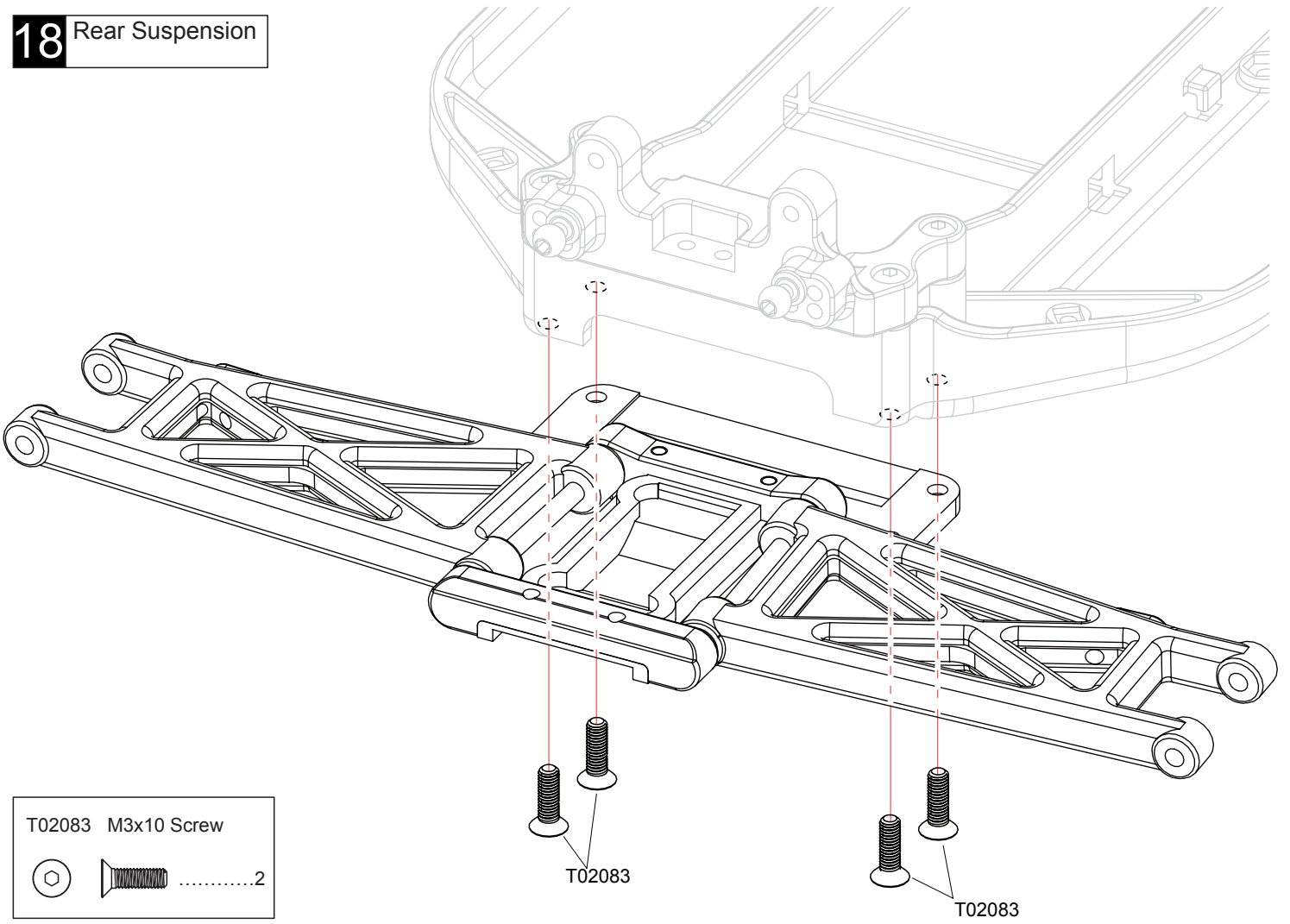
17 Rear Suspension





- T02055 3x48 Hinge pin Rear inner
2
- T02083 M3x8 Screw
2



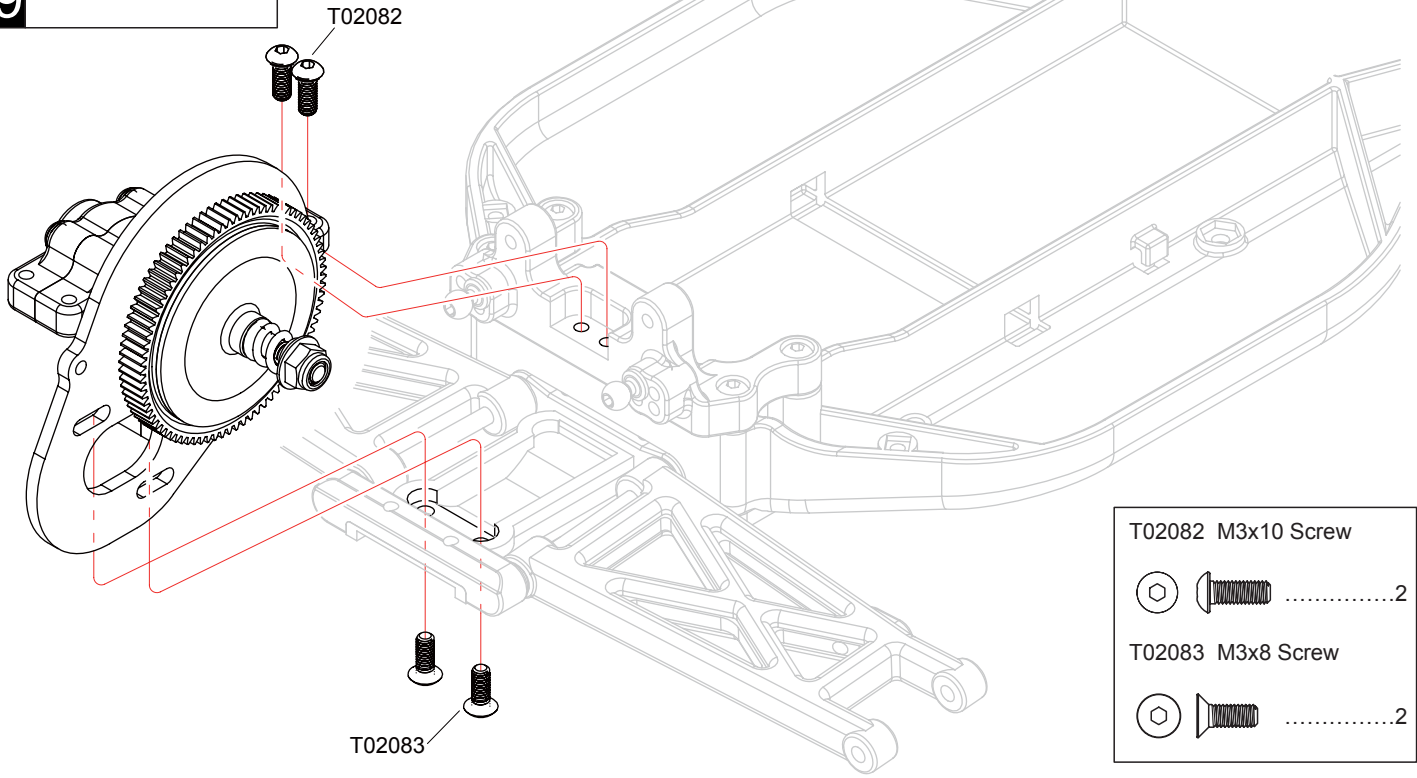
18 Rear Suspension





- T02083 M3x10 Screw
2

 Assemble left and right sides the same way



19 Rear Transmission

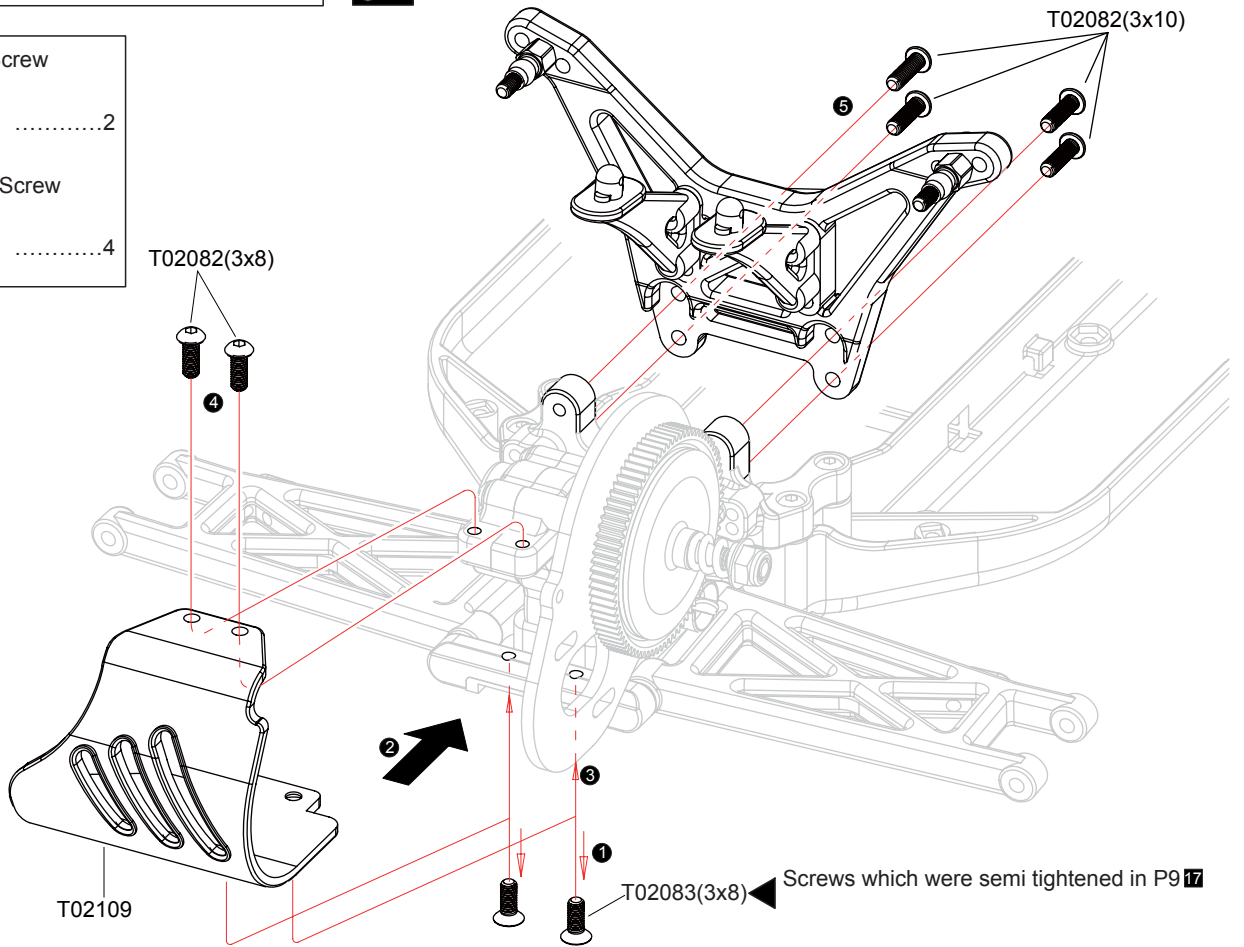



- T02082 M3x10 Screw
2
- T02083 M3x8 Screw
2

20 Rear Shock Tower & Rear Fender

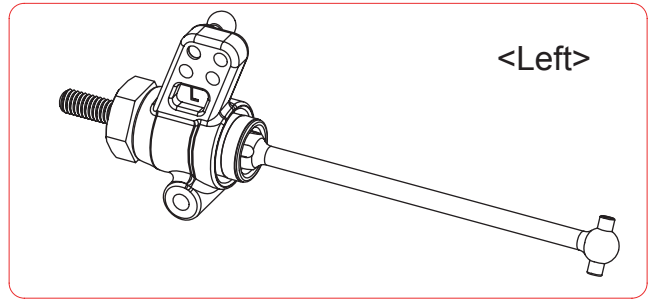


- T02082 M3x8 Screw
2
- T02082 M3x10 Screw
4

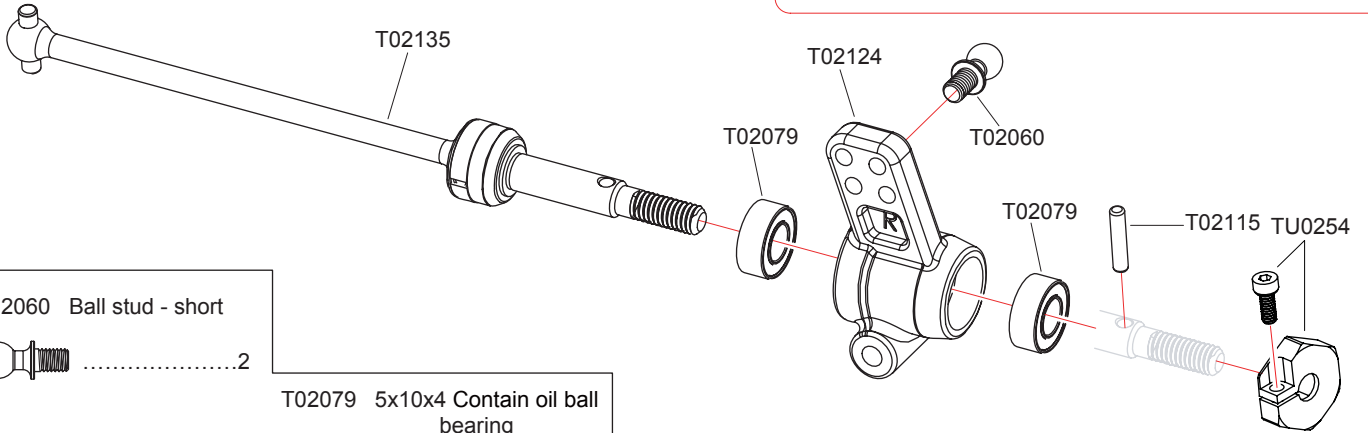






 Assemble in the specified order

21 Rear Suspension



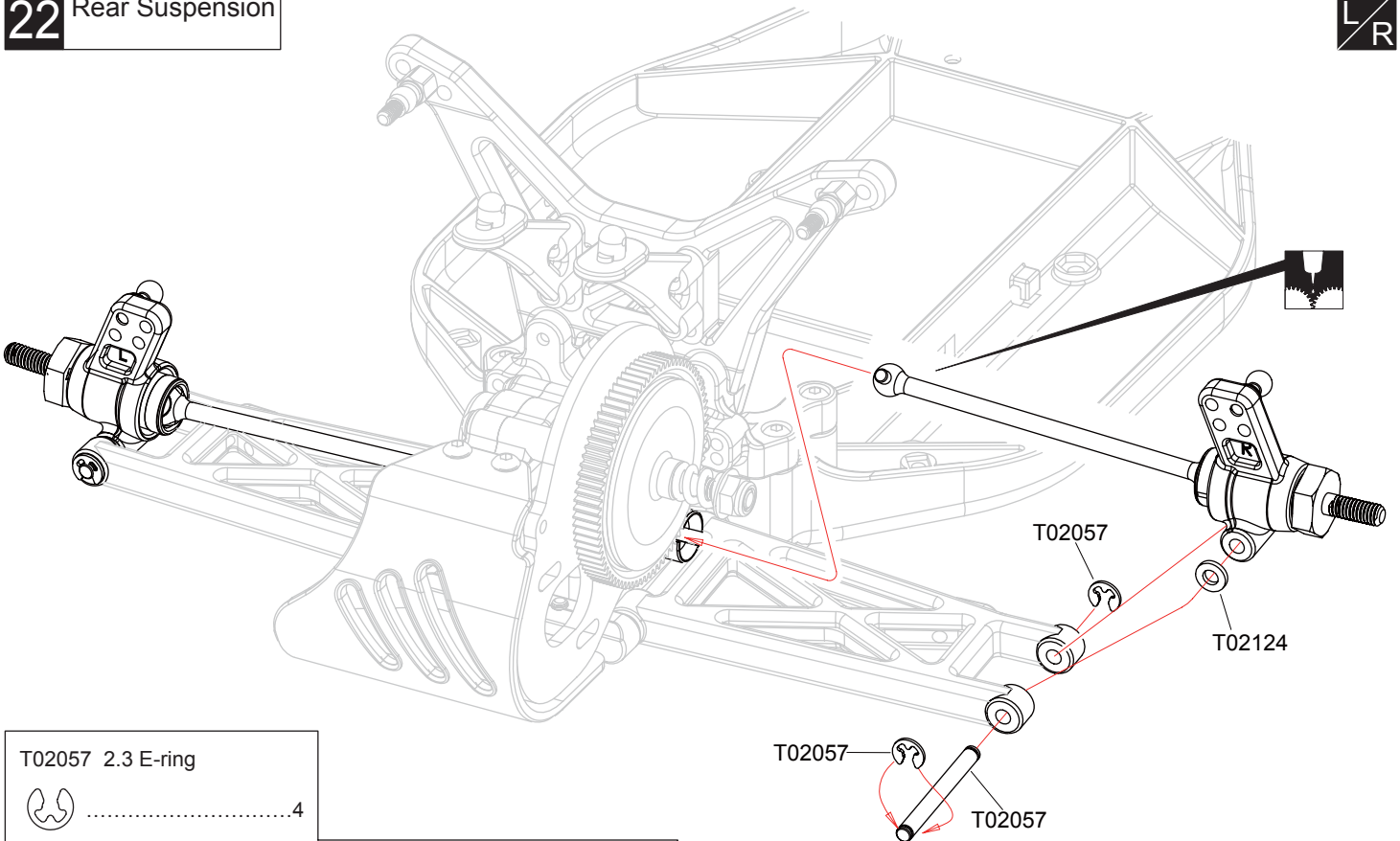
<Right>



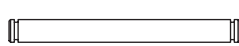



- T02060 Ball stud - short
2
- T02115 2x9.8 Shaft
2
- T02079 5x10x4 Contain oil ball bearing
2
4




22 Rear Suspension



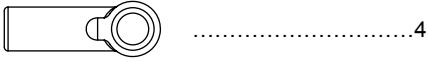
- T02057 2.3 E-ring
4
- T02124 3.1x6x1 Plastic Washer
2
- T02057 3x30.5 Hinge pin Rear outer
2

 Assemble left and right sides the same way

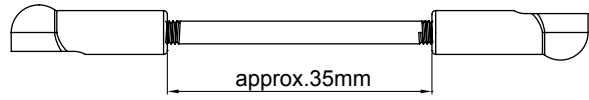
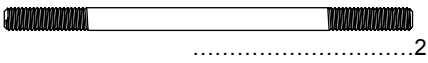
 Apply grease

23 Rear Suspension

T02112 4.8mm Ball End(Long)

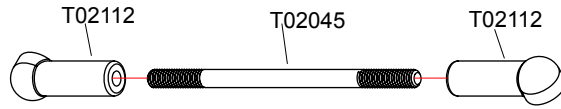


T02045 3x54 Turnbuckle

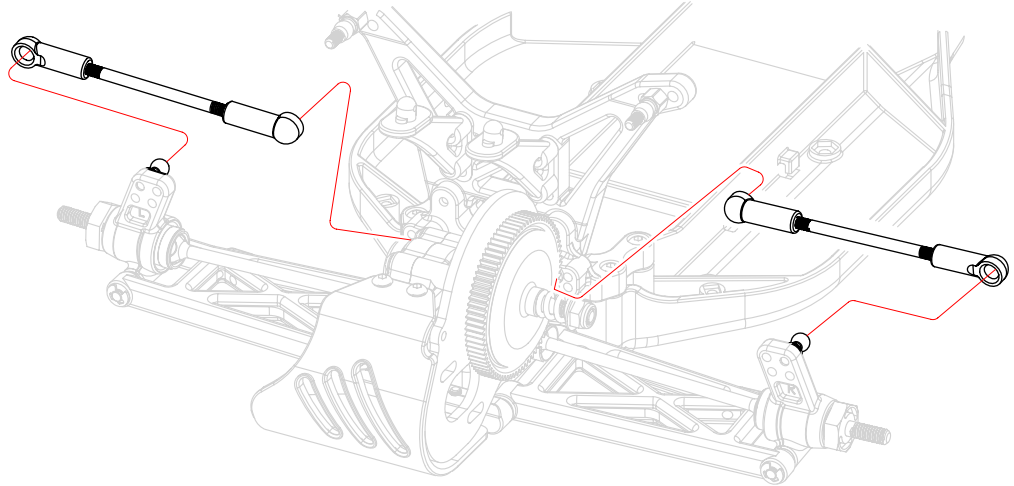


Right Upper

x2 **1:1**



24 Rear Suspension

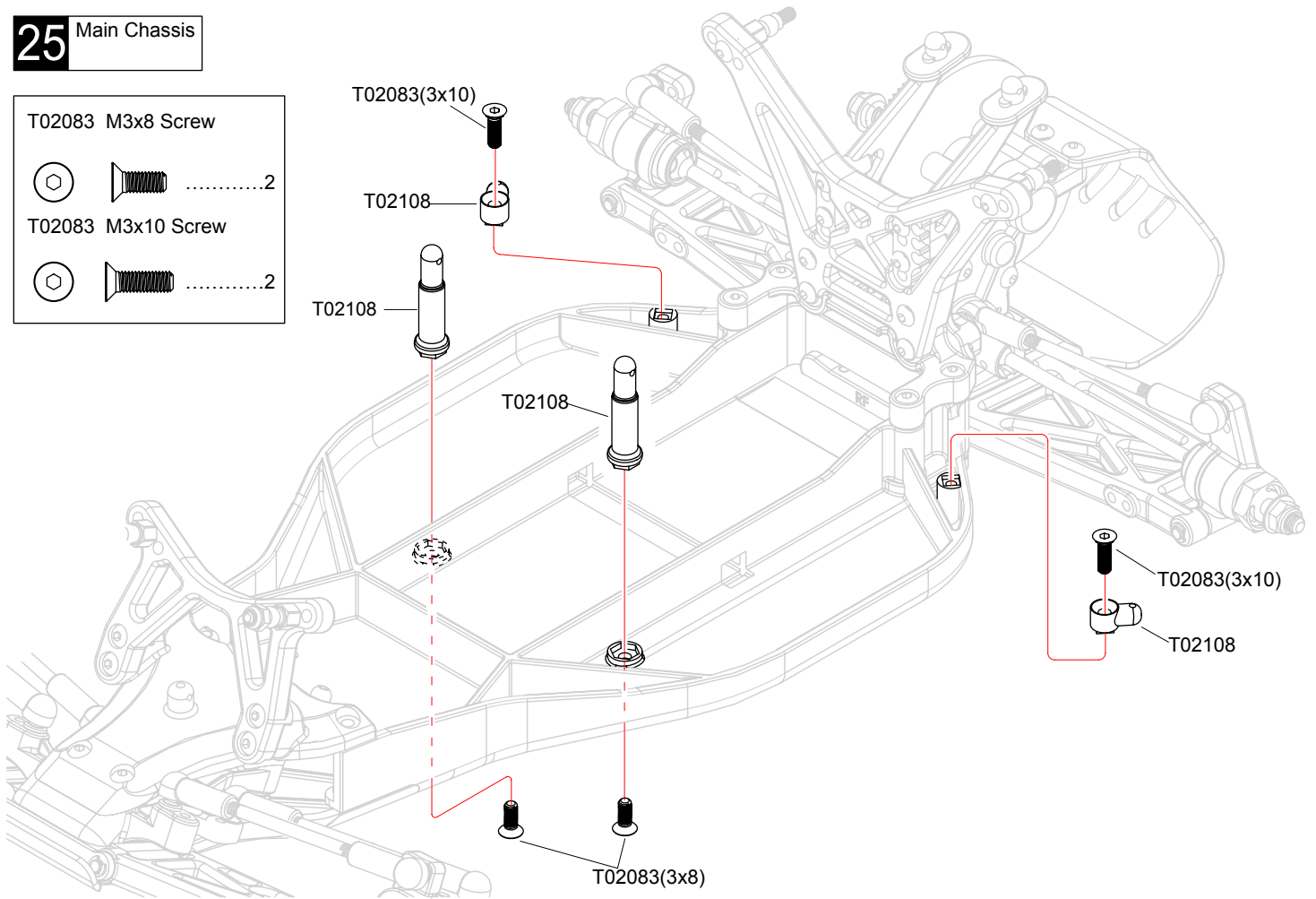


25 Main Chassis

T02083 M3x8 Screw



T02083 M3x10 Screw



x2 Assemble as many times as specified

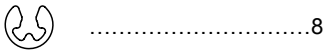
1:1 True-to -scale diagram

26 Shock Absorber

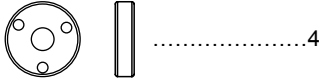
Front **x2**

Rear **x2**

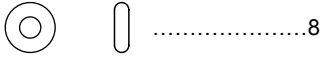
T02138 / T02139 2.3 E-ring



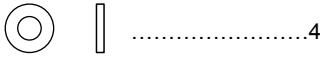
T02068 9.9x2.5 Shock Piston



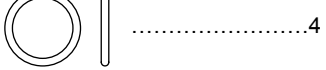
T02069 2.8x1.9 O-ring



T02069 3.1x1mm Plastic Washer



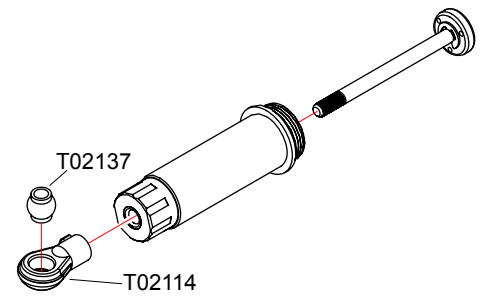
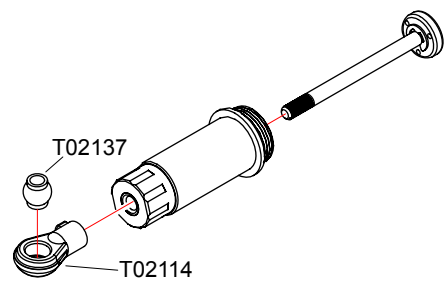
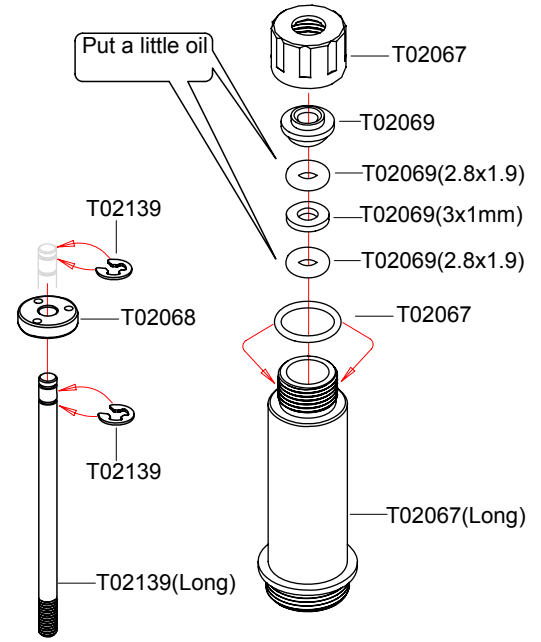
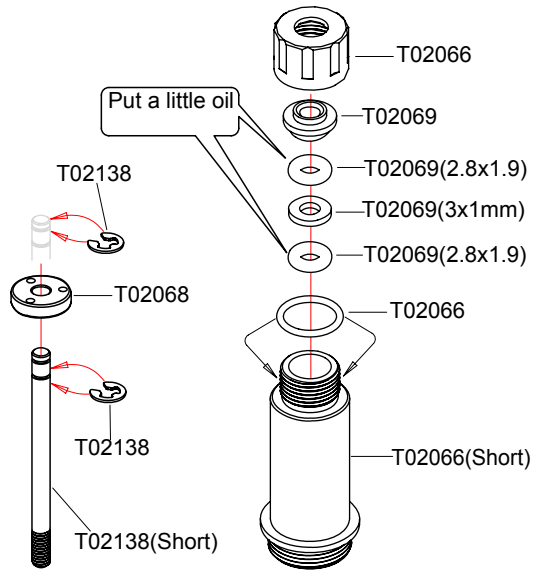
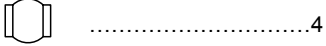
T02066 & T02067 8x1 O-ring



T02114 5.8 Ball End



T02137 5.8x6 Ball stud



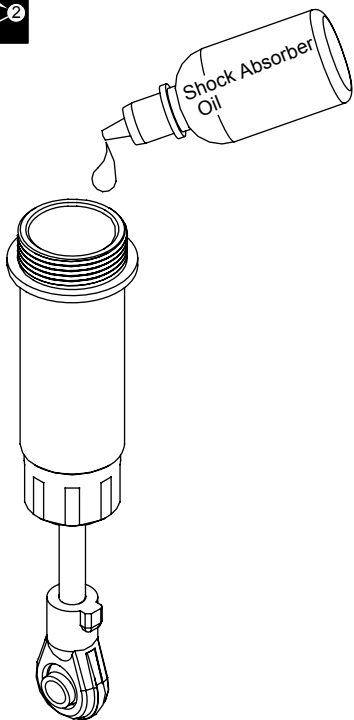
27 Shock Absorber

1
2
3

1
Put the oil

for Front(Short)
for Rear(Long)

F/**R** **x2**

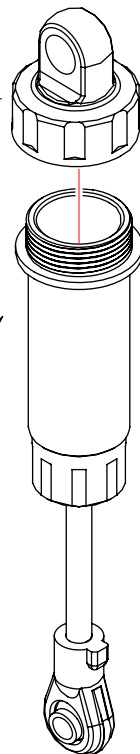


T02066 / T02067

2

for Front(Short)
for Rear(Long)

F/**R** **x2**



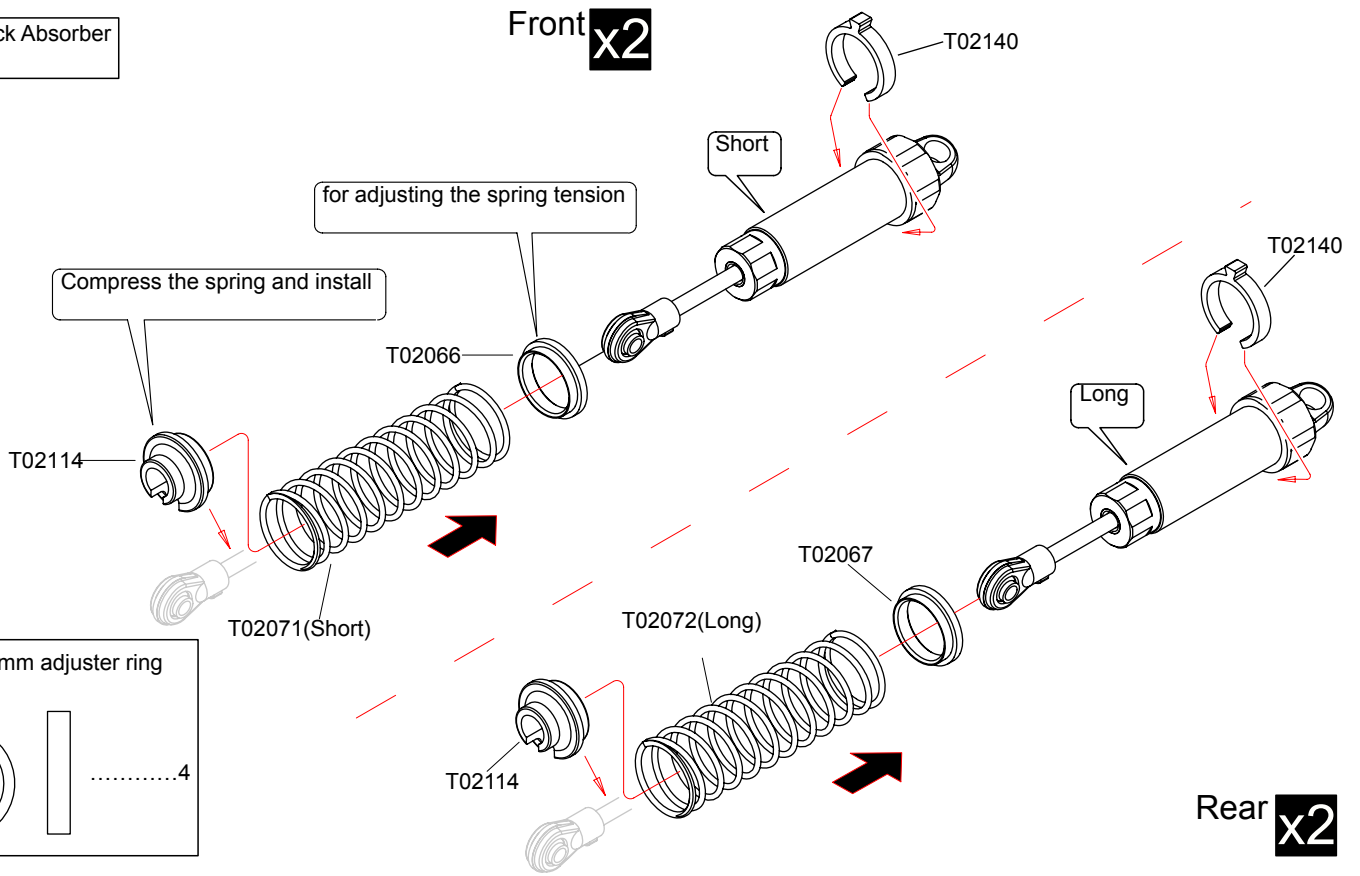
x2 Assemble as many times as specified

1
2
3 Assemble in the specified order

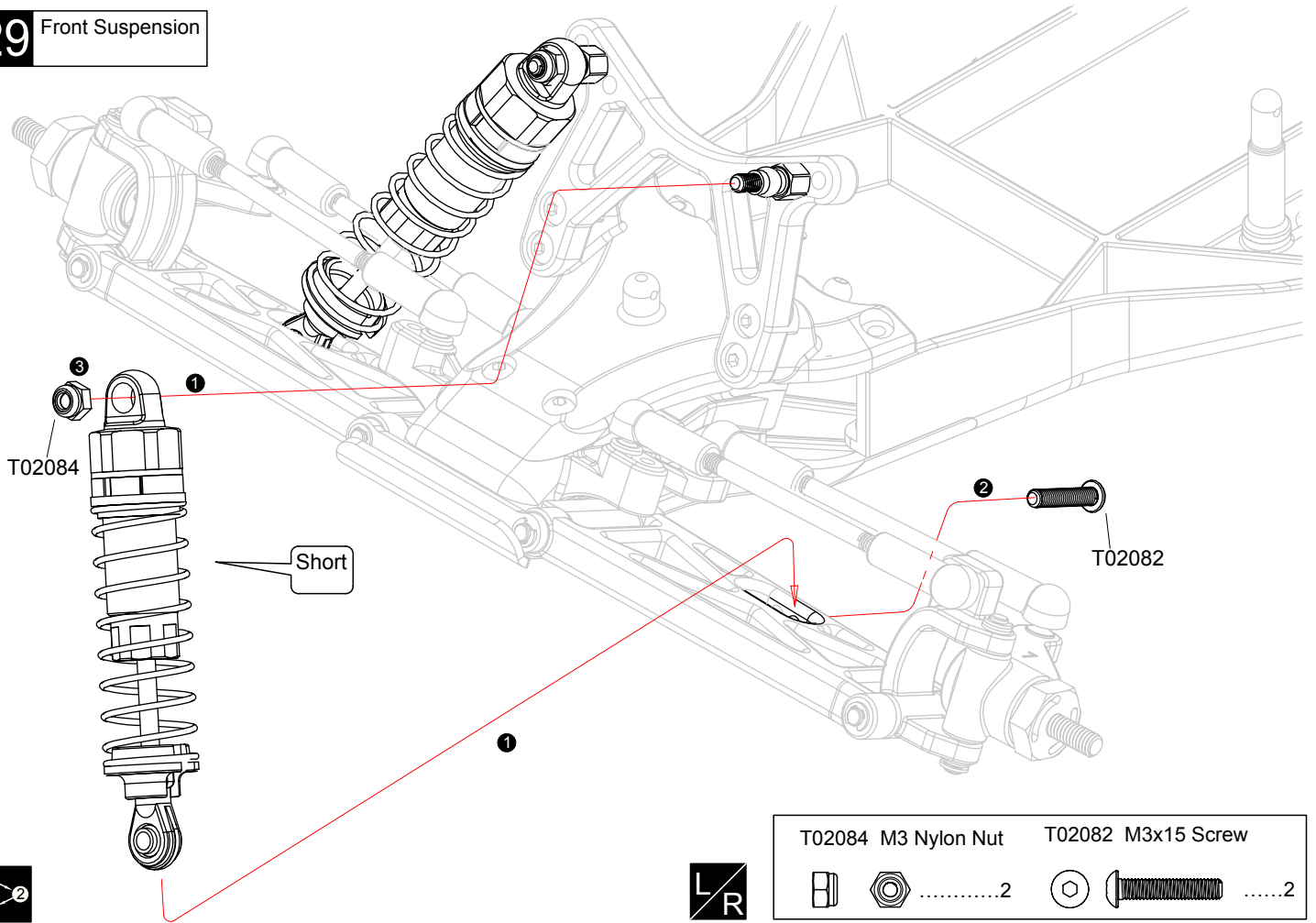
F/**R** Assemble front and rear sides the same way

28 Shock Absorber

Front **x2**



29 Front Suspension

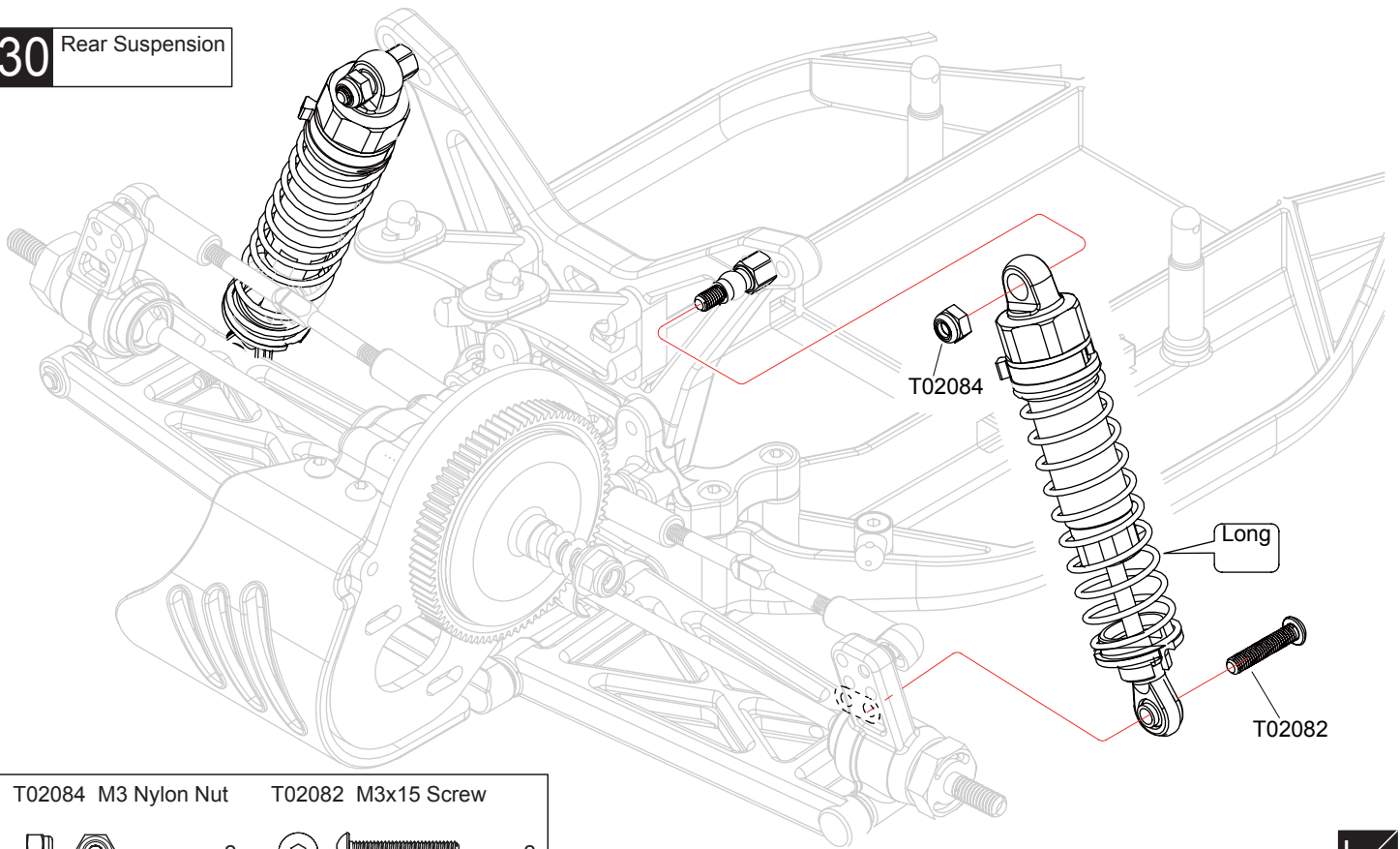




x2 Assemble as many times as specified

Assemble in the specified order

Assemble left and rear sides the same way

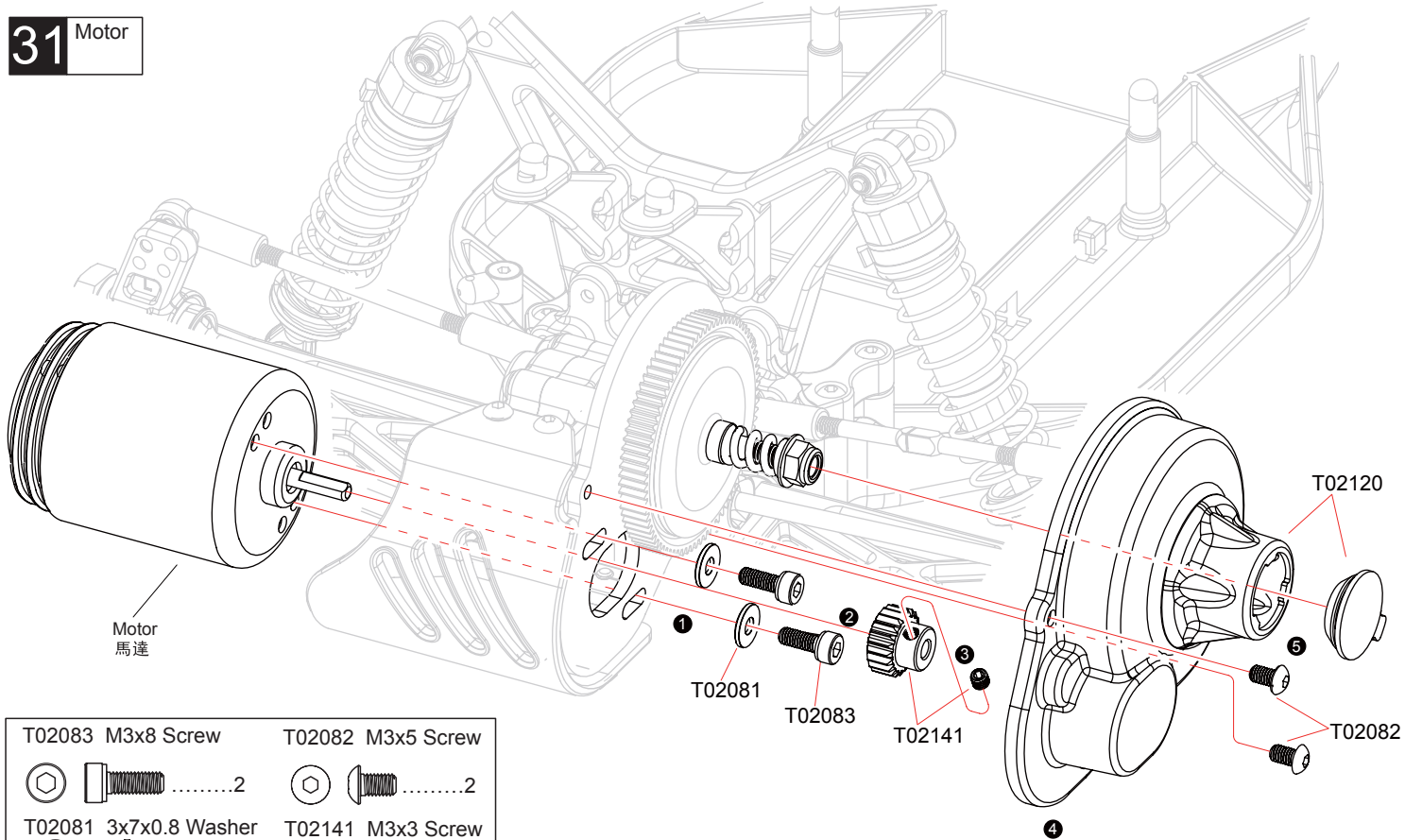
30 Rear Suspension







- | | |
|---|---|
| T02084 M3 Nylon Nut | T02082 M3x15 Screw |
|  |  |
|2 |2 |





31 Motor



- | | |
|--|---|
| T02083 M3x8 Screw | T02082 M3x5 Screw |
|  |  |
|2 |2 |
| T02081 3x7x0.8 Washer | T02141 M3x3 Screw |
|  |  |
|2 |1 |



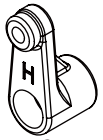
 Assemble left and rear sides the same way

 Assemble in the specified order

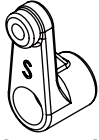
32 Steering Servo



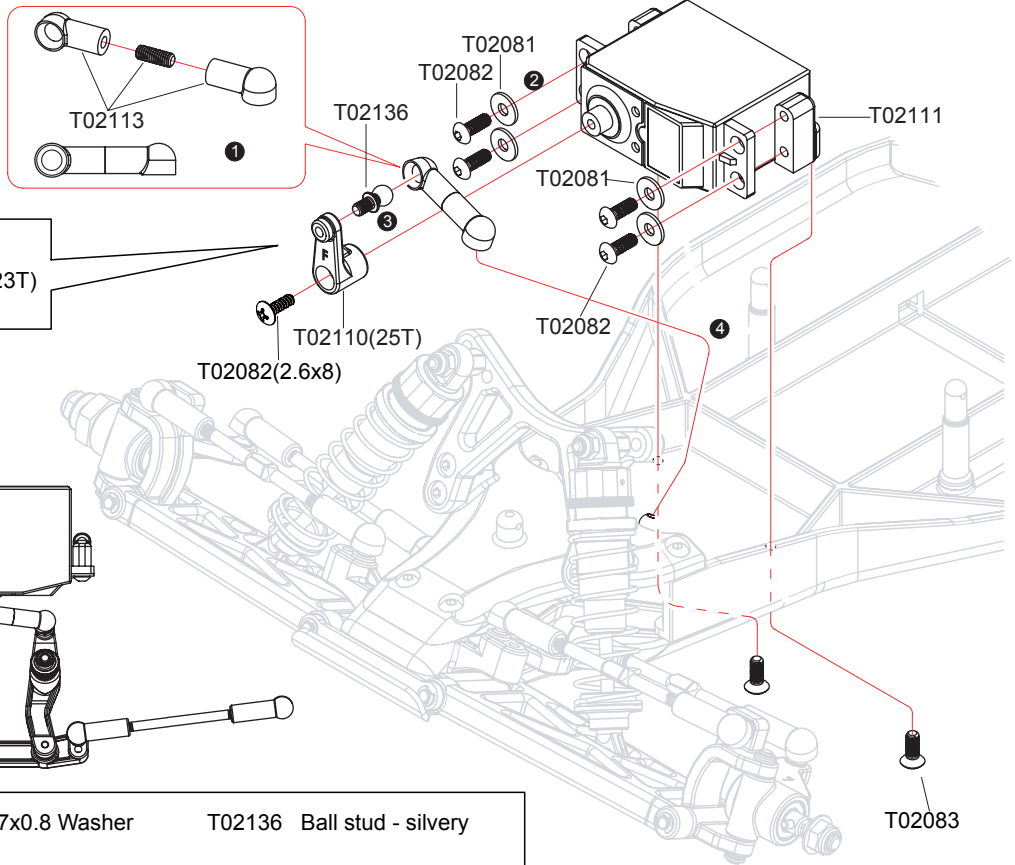
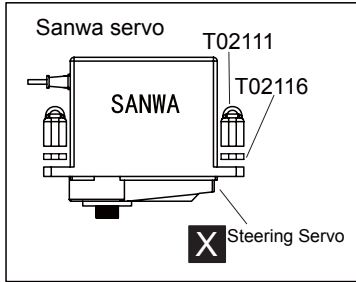
Select for your servo



Steering Servo-H(24T)



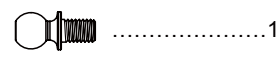
Steering Servo-S(23T)



T02113 4.8 Ball End(Short)

T02081 3x7x0.8 Washer

T02136 Ball stud - silvery



T02113 M3x10 Screw

T02082 M3x8 Screw

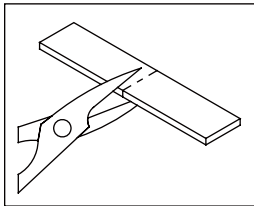
T02082 M2.6x8 Screw

T02083 M3x8 Screw

T02116 1.5 Servo spacer



33 Radio



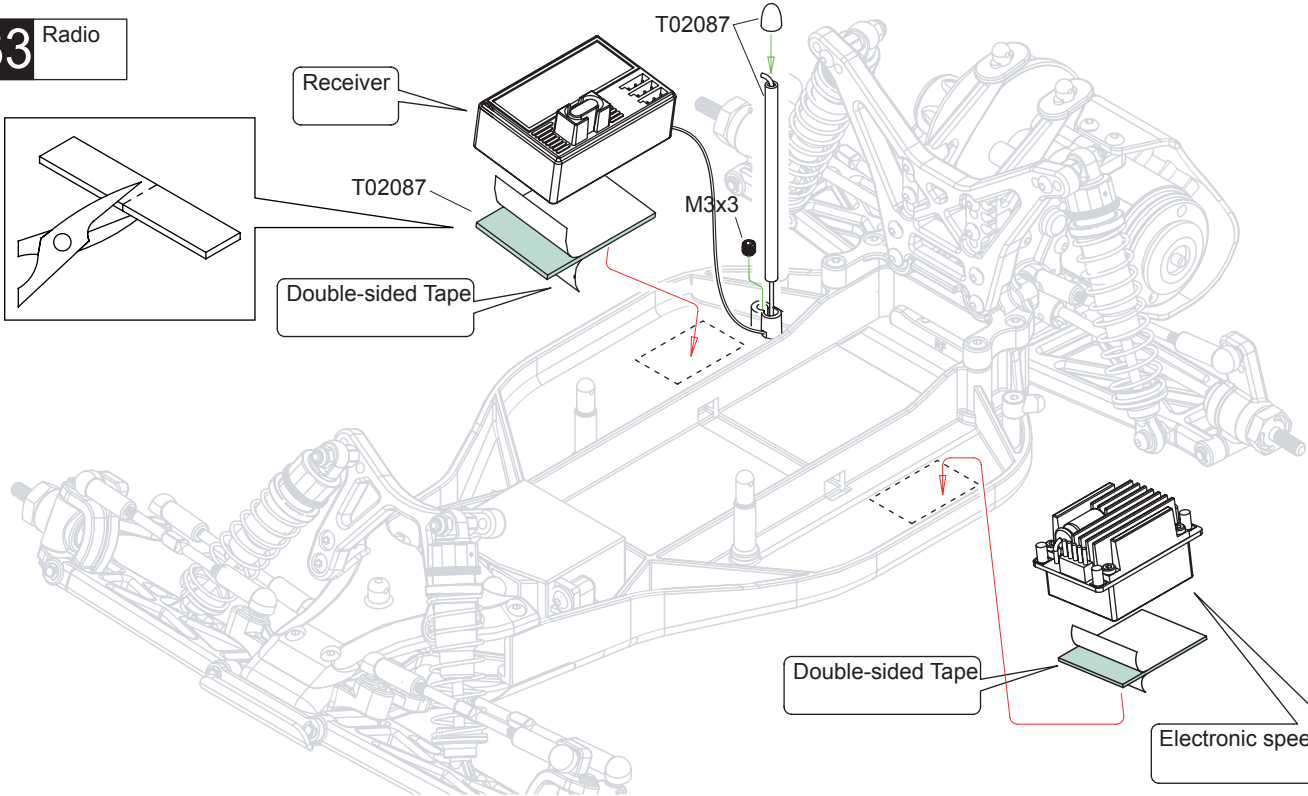
Receiver

T02087

Double-sided Tape

T02087

M3x3



Double-sided Tape

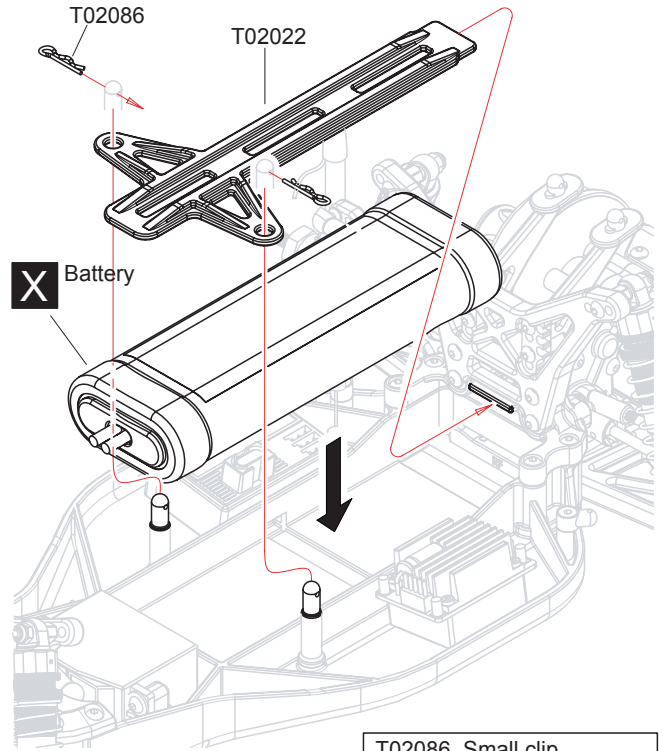
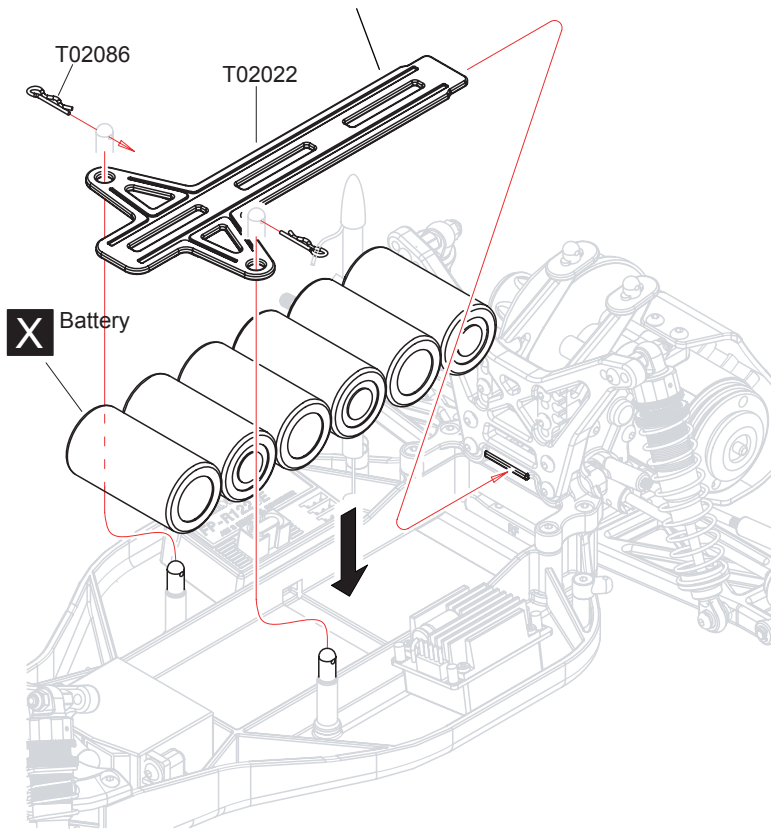
Electronic speed controller


Assemble in the specified order

Must be purchased separately

34 Battery

If using loose battery cells
Please put the battery panel conversely



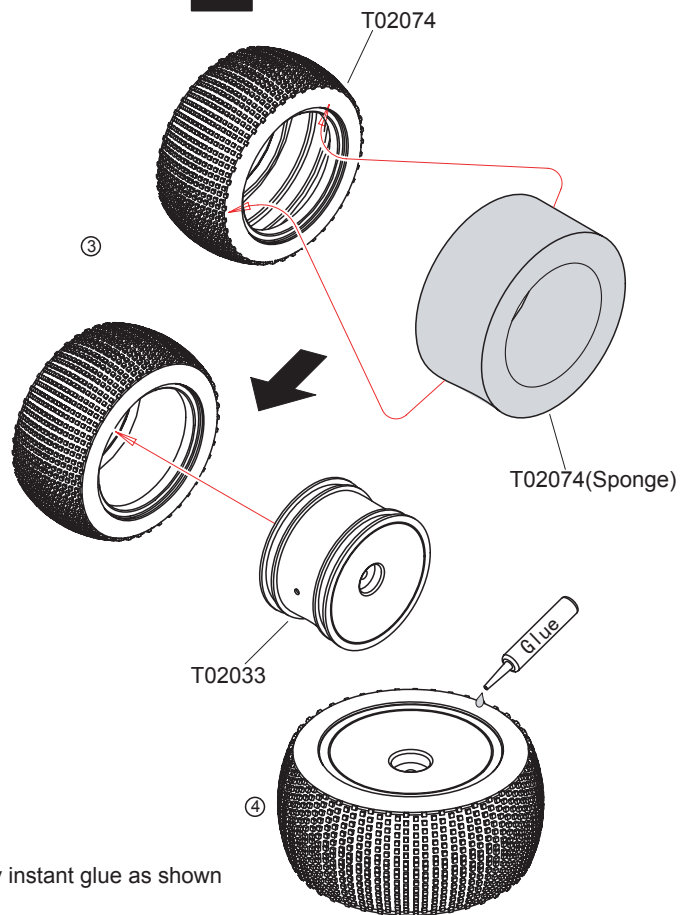
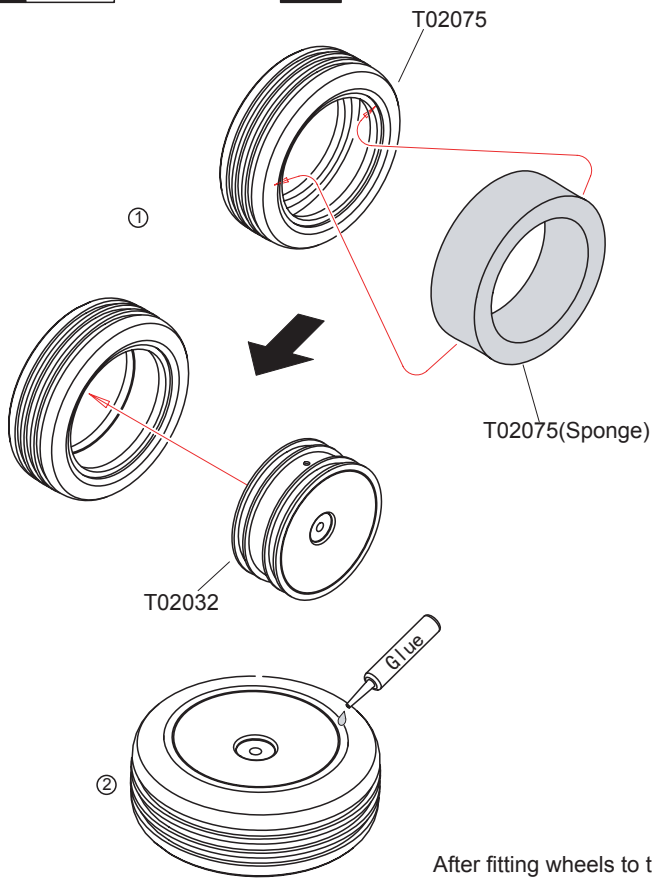
T02086 Small clip
2

35 Wheels

Front **x2**


1 2
3

Rear **x2**



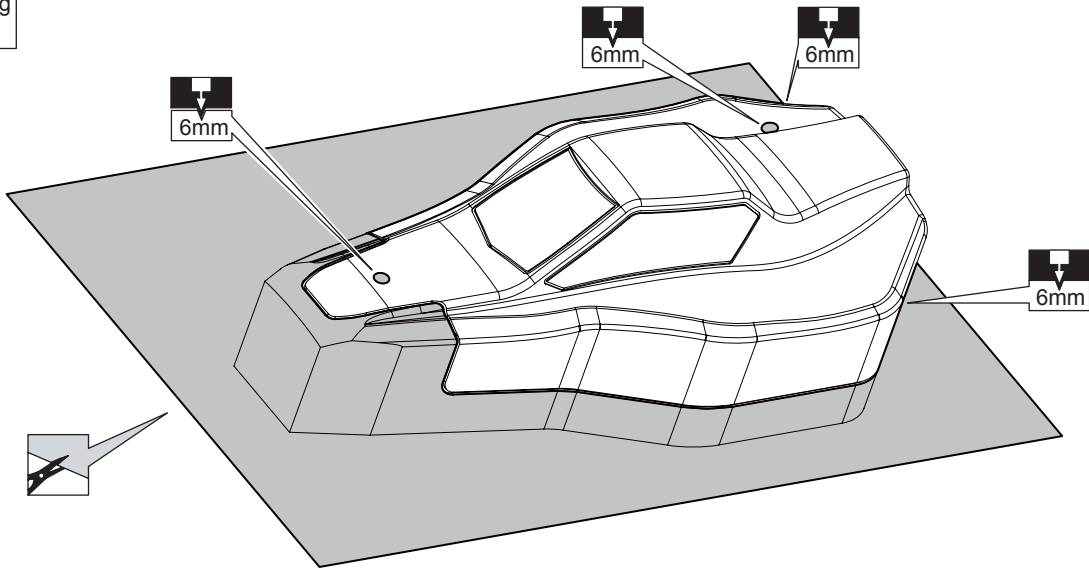
After fitting wheels to tyres, apply instant glue as shown

x2 Assemble as many times as specified

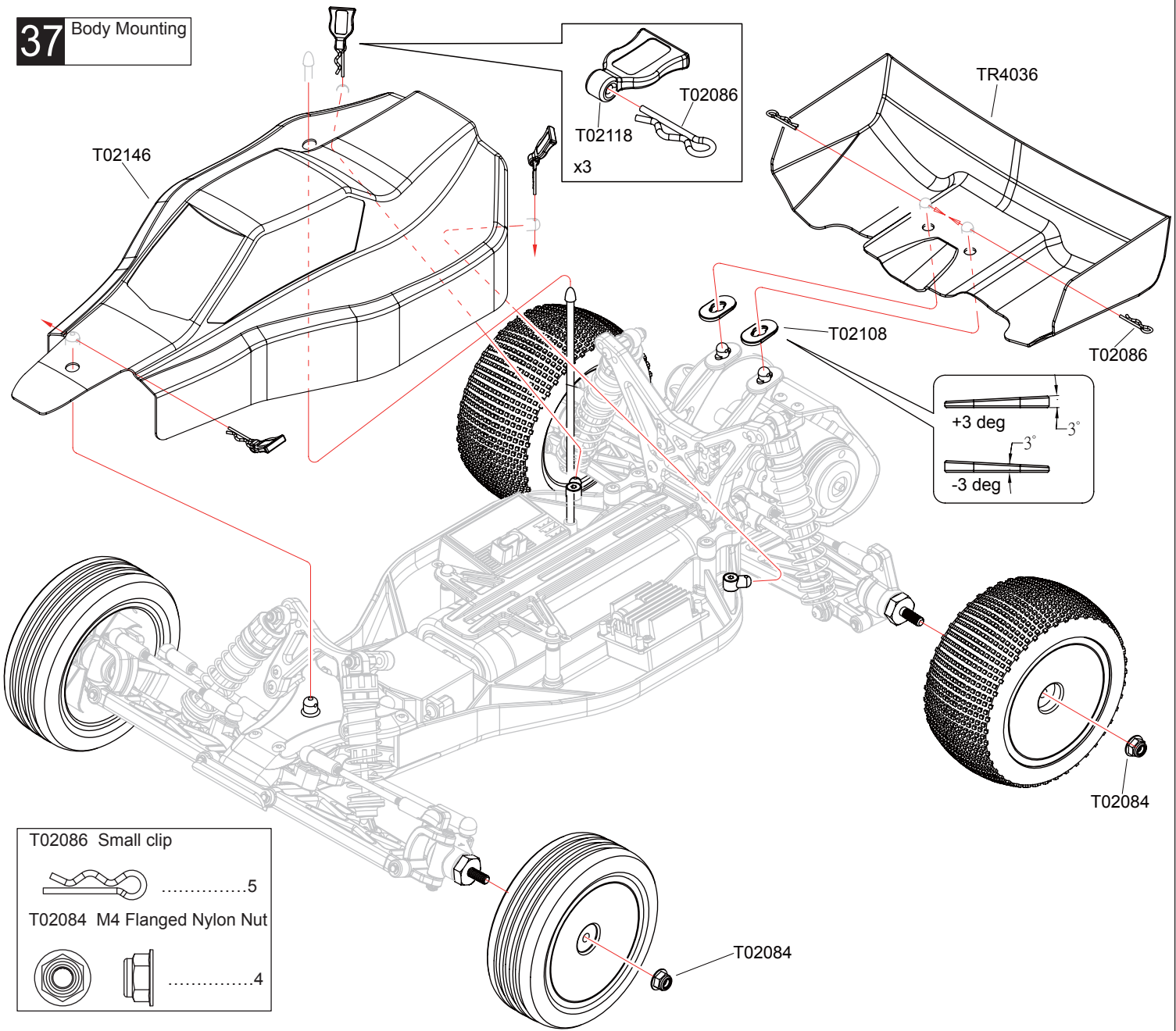
 Assemble in the specified order

X Must be purchased separately

36 Body Mounting



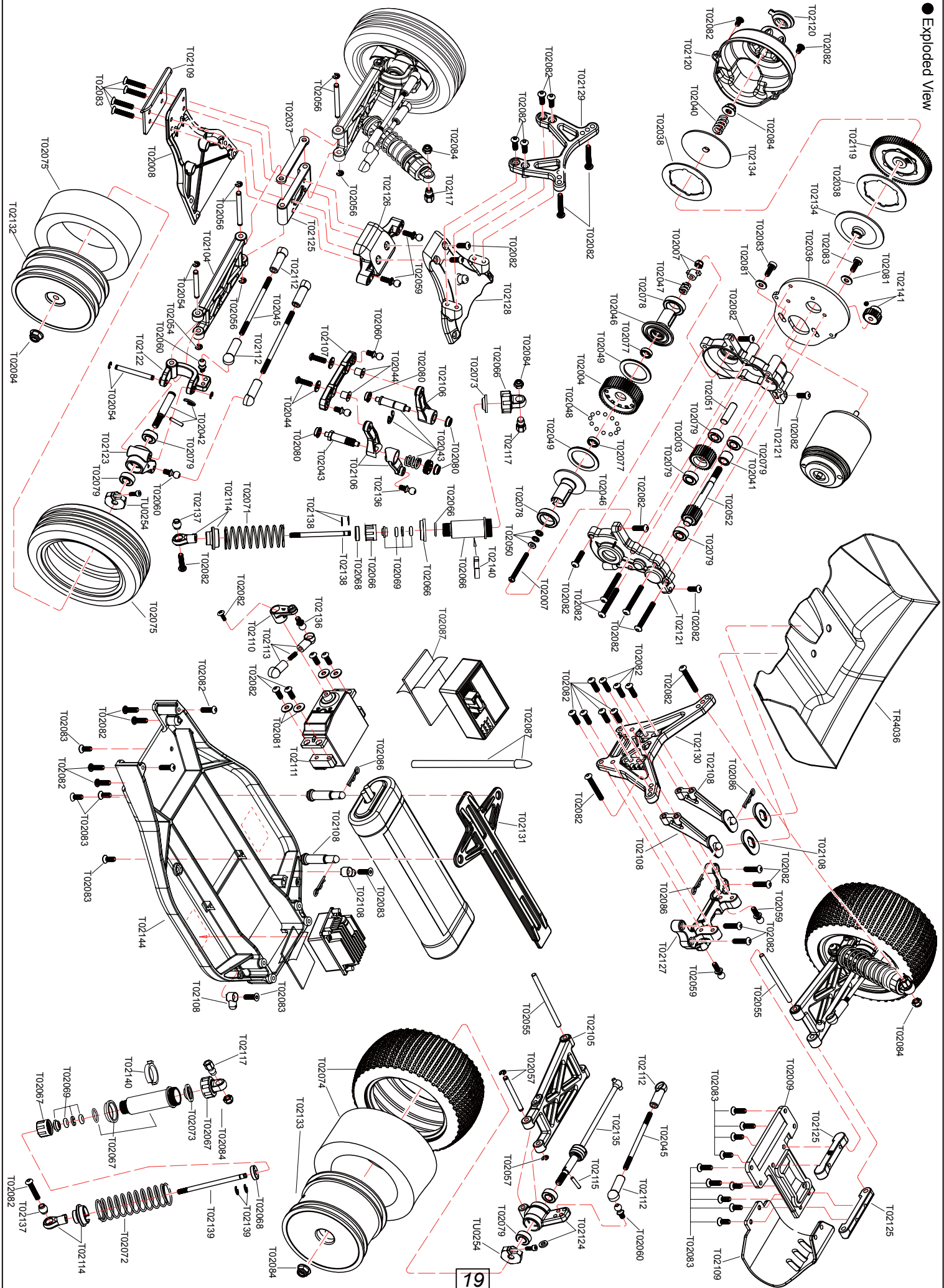
37 Body Mounting



x2 Assemble as many times as specified
需

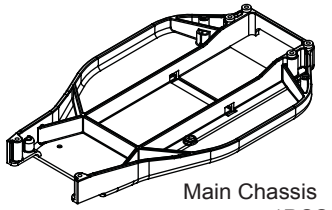
6mm Drill holes with the specified diameter

Cut off shaded portion



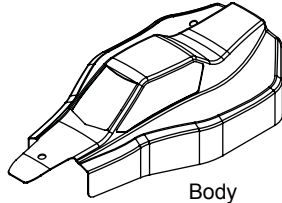
Parts list for Jekyll off-road buggy-1

T02144



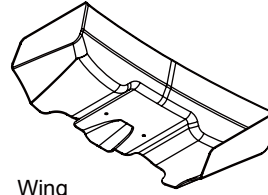
Main Chassis
1PCS

T02146



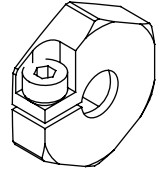
Body
1pcs

TR4036



Wing
1pcs

TU0254



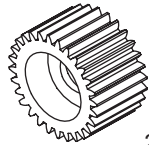
12mm Hex Hub-4mm
4PCS

T02119



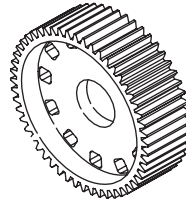
80T Spur Gear
1PCS

T02003



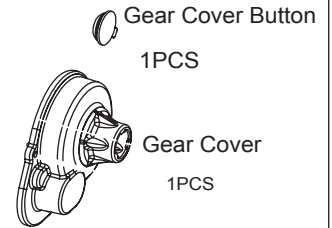
28T Spur Gear
1PCS

T02004



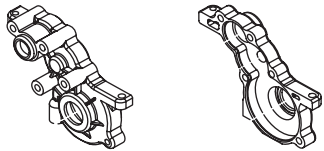
52T Gear
1PCS

T02120



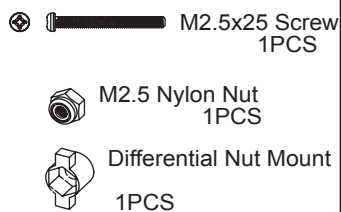
Gear Cover Button
1PCS
Gear Cover
1PCS

T02121



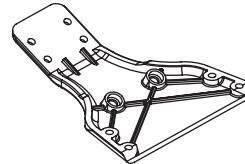
Differential-L
1PCS
Differential-R
1PCS

T02007



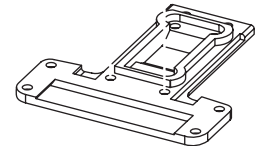
M2.5x25 Screw
1PCS
M2.5 Nylon Nut
1PCS
Differential Nut Mount
1PCS

T02008



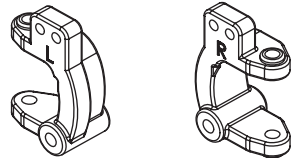
Front chassis plate
1PCS

T02009



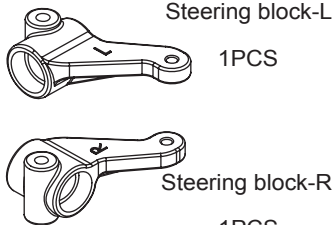
Rear chassis plate
1PCS

T02122



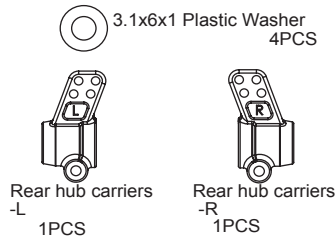
C-type holder L
1PCS
C-type holder R
1PCS

T02123



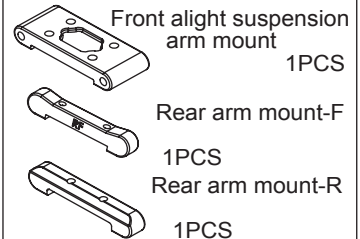
Steering block-L
1PCS
Steering block-R
1PCS

T02124



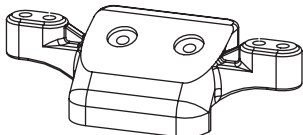
3.1x6x1 Plastic Washer
4PCS
Rear hub carriers
-L
1PCS
Rear hub carriers
-R
1PCS

T02125



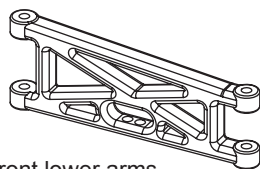
Front aight suspension
arm mount
1PCS
Rear arm mount-F
1PCS
Rear arm mount-R
1PCS

T02126



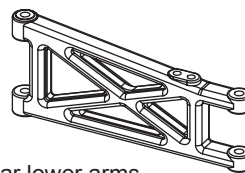
Front upper suspension
arm mount
1PCS

T02104



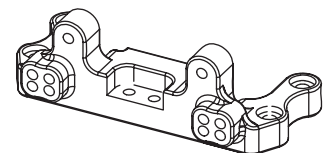
Front lower arms
2PCS

T02105



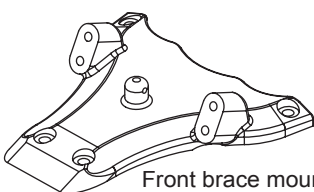
Rear lower arms
2PCS

T02127



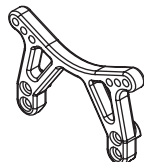
Rear brace mount
1PCS

T02128



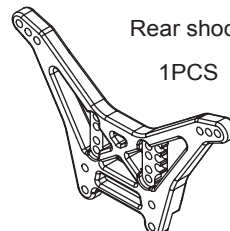
Front brace mount
1PCS

T02129



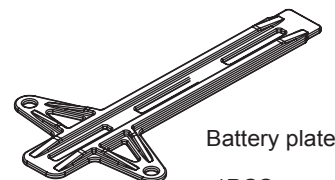
Front shock tower
1PCS

T02130



Rear shock tower
1PCS

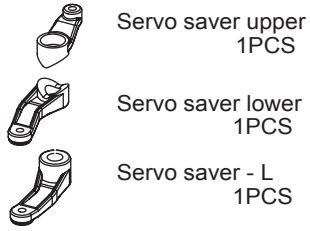
T02131



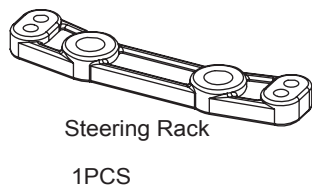
Battery plate
1PCS

Parts list for Jekyll off-road buggy-2

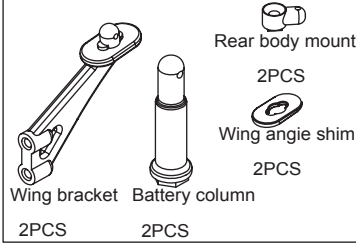
T02106



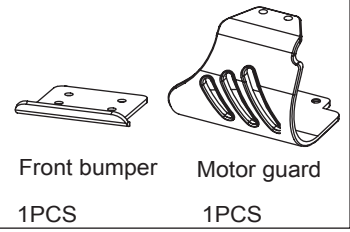
T02107



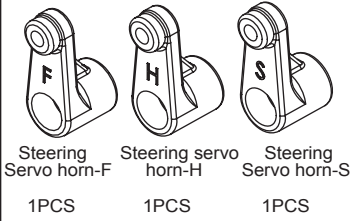
T02108



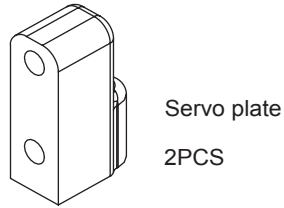
T02109



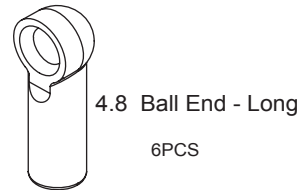
T02110



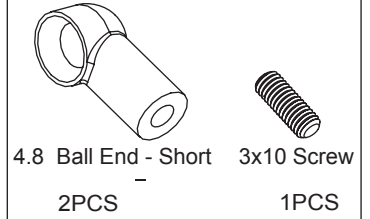
T02111



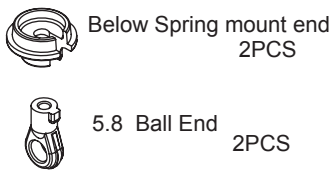
T02112



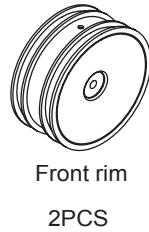
T02113



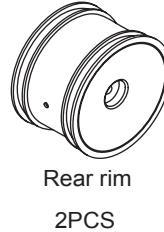
T02114



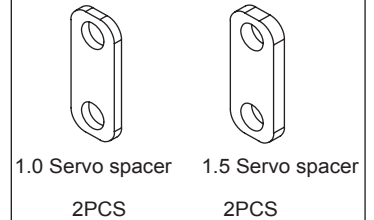
T02132



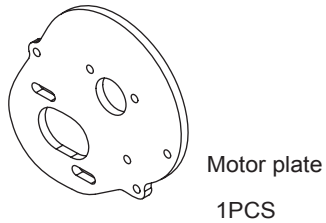
T02133



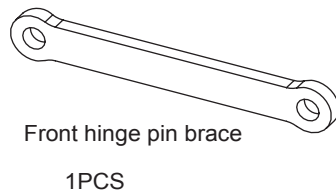
T02116



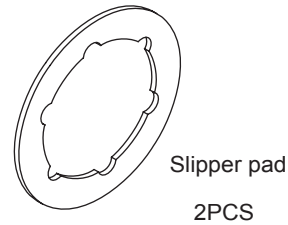
T02036



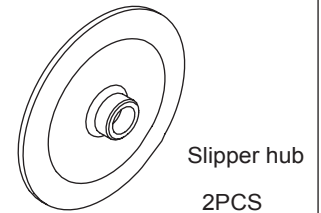
T02037



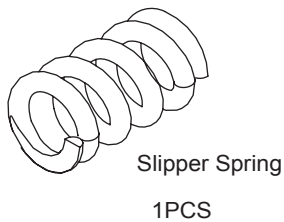
T02038



T02134



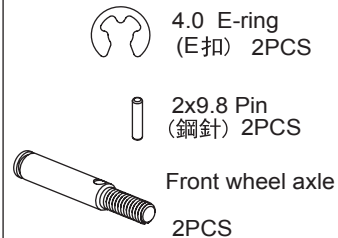
T02040



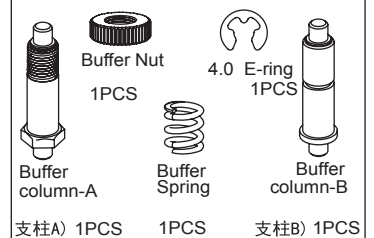
T02041



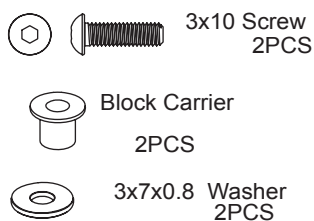
T02042



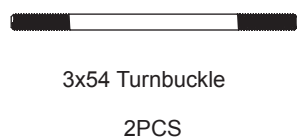
T02043



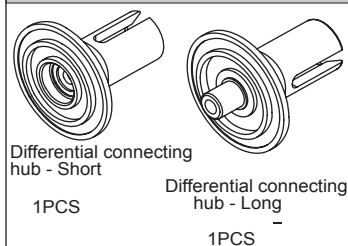
T02044



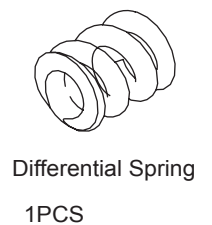
T02045



T02046

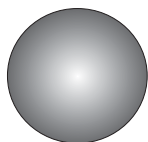


T02047




Parts list for Jekyll off-road buggy-3

T02048



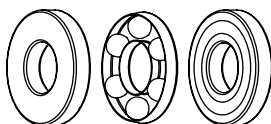
2.37mm Ball
12PCS

T02049



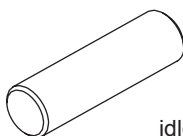
17x23x1 Washer
2PCS

T02050



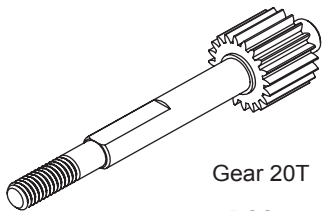
2.6x6x3 Stop push ball bearing
1PCS

T02051



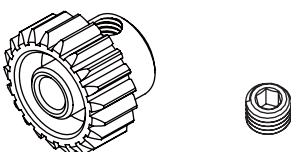
idler gear shaft
1PCS

T02052



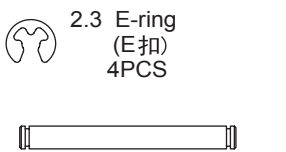
Gear 20T
1PCS

T02141



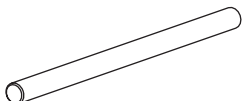
Pinion Gear 21T 3x3 Screw
1PCS 1PCS

T02054



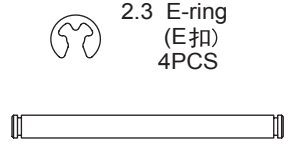
2.3 E-ring (E扣) 4PCS
3x27.5 Hinge pin front outer
2PCS

T02055



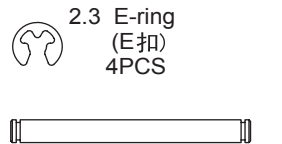
3x48 Hinge pin Rear inner
2PCS

T02056



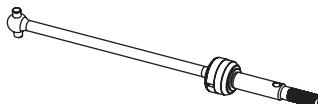
2.3 E-ring (E扣) 4PCS
3x34.5 Hinge pin front inner
2PCS

T02057



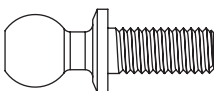
2.3 E-ring (E扣) 4PCS
3x30.5 Hinge pin Rear outer
2PCS

T02135



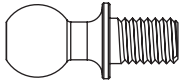
Rear CVD
2PCS

T02059




Ball stud - long
2PCS

T02060



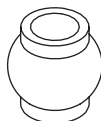
Ball stud - short
5PCS

T02136



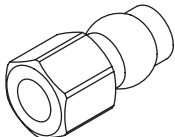
Ball stud - silver
2PCS

T02137



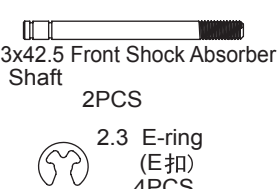
5.8x6 Ball stud
4PCS

T02117



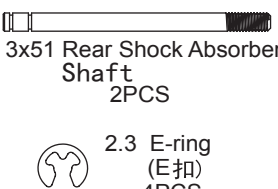
5mm Plastic Ball stud
4PCS

T02138



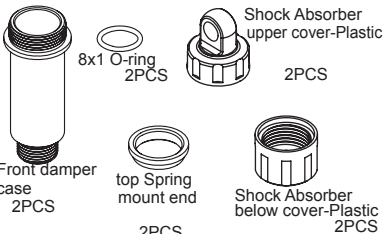
3x42.5 Front Shock Absorber Shaft 2PCS
2.3 E-ring (E扣) 4PCS

T02139



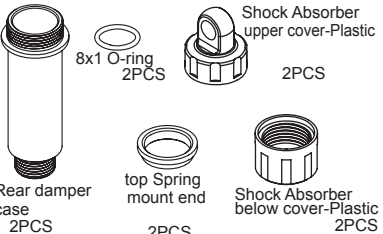
3x51 Rear Shock Absorber Shaft 2PCS
2.3 E-ring (E扣) 4PCS

T02066




Shock Absorber upper cover-Plastic 2PCS
8x1 O-ring 2PCS
Front damper case 2PCS
top Spring mount end 2PCS
Shock Absorber below cover-Plastic 2PCS

T02067



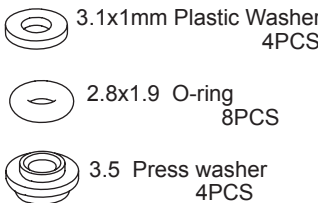
Shock Absorber upper cover-Plastic 2PCS
8x1 O-ring 2PCS
Rear damper case 2PCS
top Spring mount end 2PCS
Shock Absorber below cover-Plastic 2PCS

T02068



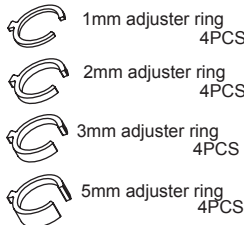
Shock piston
4PCS

T02069



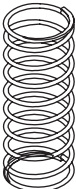
3.1x1mm Plastic Washer 4PCS
2.8x1.9 O-ring 8PCS
3.5 Press washer 4PCS

T02140



1mm adjuster ring 4PCS
2mm adjuster ring 4PCS
3mm adjuster ring 4PCS
5mm adjuster ring 4PCS

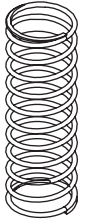
T02071



Front Shock Absorber Spring
2PCS

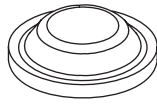
Parts list for Jekyll off-road buggy-4

T02072



Rear Shock Absorber Spring
2PCS

T02073

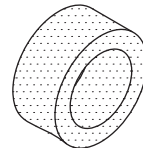


Diaphragm
4PCS

T02074



Rear-tyre
2PCS

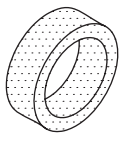


Rear-Sponge
2PCS

T02075



Front-tyre
2PCS



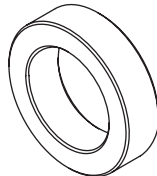
Front-Sponge
2PCS

T02077



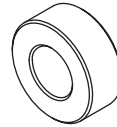
5x8x2.5 Contain oil ball bearing
6PCS

T02078



10x15x4 Contain oil ball bearing
6PCS

T02079



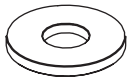
5x10x4 Contain oil ball bearing
6PCS

T02080



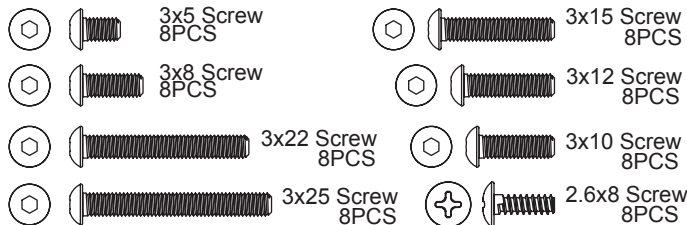
3x6x2.5 Ball Bearing
4PCS

T02081

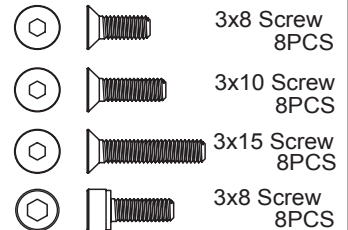


3x7x0.8 Washer
10PCS

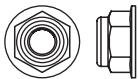
T02082



T02083



T02084



M4 Flanged Nylon Nut
6PCS



M3 Nylon Nut
6PCS

T02085



2.3 E-ring
8PCS



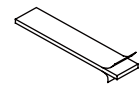
4 E-ring
8PCS

T02086



Small clip
8PCS

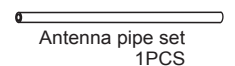
T02087



Double-sided tape
1PCS

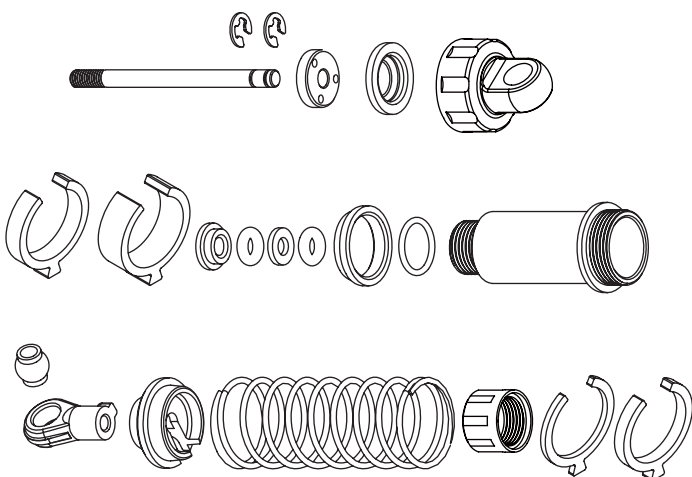


Antenna pipe set cover
1PCS



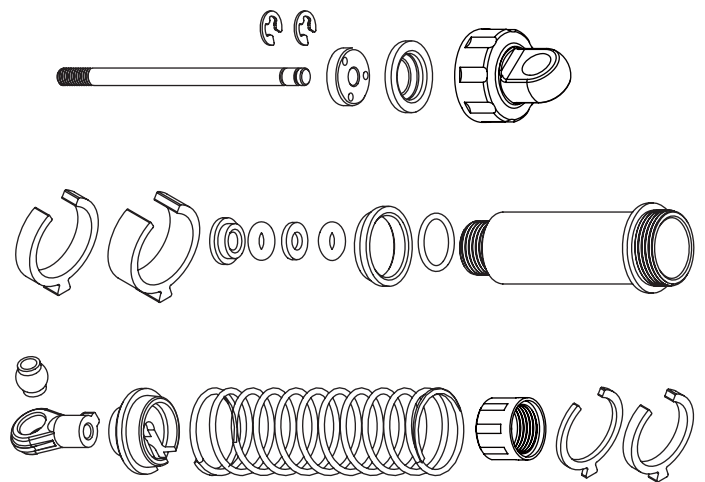
Antenna pipe set
1PCS

T02088



Front Shock Absorber
2PCS

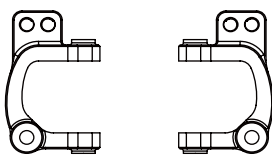
T02089



Rear Shock Absorber
2PCS

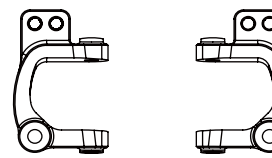
Jekyll Upgrade Parts

Tu0219 OP



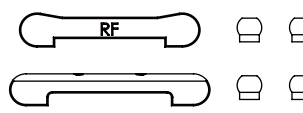
C-Type-Holder 25 Degree - L
C-Type-Holder 25 Degree - R

Tu0220 OP



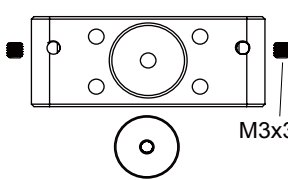
C-Type-Holder 30 Degree - L
C-Type-Holder 30 Degree - R

Tu0221 OP



Rear arm mount F/R 1Set

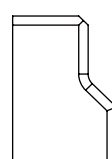
Tu0222 OP



Front arm mount 1Set

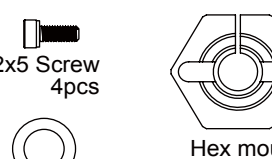
M3x3

Tu0224 OP



Servo mount 2pcs

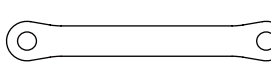
Tu0225 OP



2x5 Screw 4pcs
Hex mount 4pcs

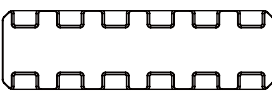
5.1x8x0.2 Washer 4pcs

Tu0226 OP



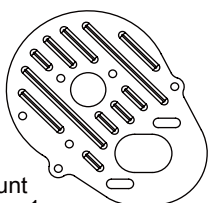
Front hinge pin brace 1pcs

Tu0228 OP



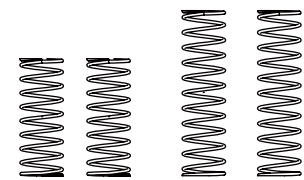
Brass battery tray 1pcs

Tu0229 OP



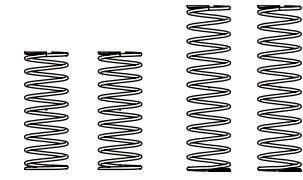
Motor mount 1pcs

Tu0230 OP



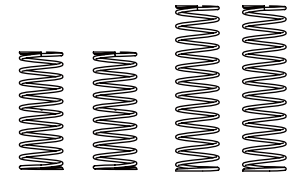
Hard Shock Absorber Spring Set (Blue)

Tu0231 OP



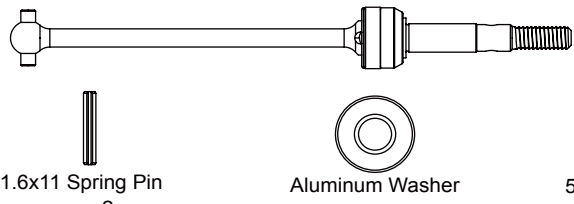
Medium Shock Absorber Spring Set (Red)

Tu0232 OP



Soft Shock Absorber Spring Set (Purple)

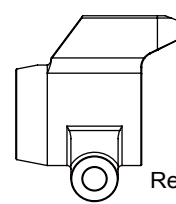
Tu0233 OP



Buggy CVD for ae rim 2pcs

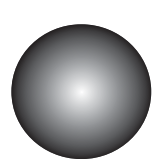
1.6x11 Spring Pin 2pcs
Aluminum Washer 2pcs
5.1x8x0.2 Washer 4pcs

Tu0236 OP



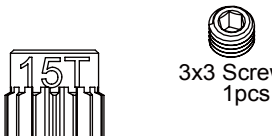
Rear hub carriers 2pcs

Tu0238 OP



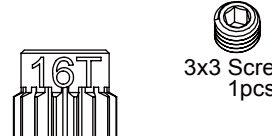
Ceramic Ball 2.37mm 12pcs

H475 OP



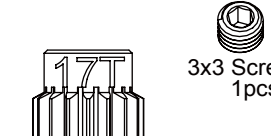
Aluminium Motor Gear - 15T 1pcs
3x3 Screw 1pcs

H476 OP



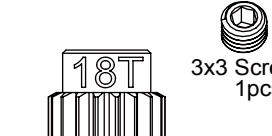
Aluminium Motor Gear - 16T 1pcs
3x3 Screw 1pcs

H477 OP



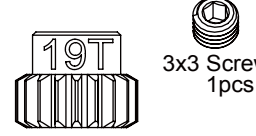
Aluminium Motor Gear - 17T 1pcs
3x3 Screw 1pcs

H478 OP



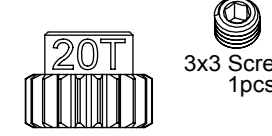
Aluminium Motor Gear - 18T 1pcs
3x3 Screw 1pcs

H479 OP



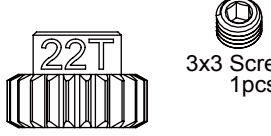
Aluminium Motor Gear - 19T 1pcs
3x3 Screw 1pcs

H480 OP



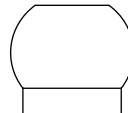
Aluminium Motor Gear - 20T 1pcs
3x3 Screw 1pcs

H482 OP



Aluminium Motor Gear - 22T 1pcs
3x3 Screw 1pcs

Tu0223 OP



Rear arm mount -Ball 8pcs



HOBBYPRO COMPANY LTD.

Flat C-D, 5/F.,

Speedy Ind. BLDG.,

114 How Ming Street,

Kwun Tong, KLN., Hong Kong.

Team C Headquarter

www.teamcracing.net

Team C America

www.teamcamerica.com

Team C Europe

www.teamceurope.com